

555-7101-510

CallPilot

Installation and Configuration

Part 3: Succession CSE 1000 and CallPilot Server
Configuration

Product release 2.0

Standard 1.0

October 2002

NORTEL
NETWORKS™

P0949468

CallPilot

Installation and Configuration

Succession CSE 1000 System and CallPilot Server Configuration

Publication number:	555-7101-510
Product release:	2.0
Document release:	Standard 1.0
Date:	October 2002

Copyright © 2002 Nortel Networks, All Rights Reserved

Printed in Canada

Information is subject to change without notice. Nortel Networks reserves the right to make changes in design or components as progress in engineering and manufacturing may warrant.

The process of transmitting data and call messaging between the CallPilot server and the Meridian 1 switch or Succession CSE 1000 system is proprietary to Nortel Networks. Any other use of the data and the transmission process is a violation of the user license unless specifically authorized in writing by Nortel Networks prior to such use. Violations of the license by alternative usage of any portion of this process or the related hardware constitutes grounds for an immediate termination of the license and Nortel Networks reserves the right to seek all allowable remedies for such breach.

This page and the following page are considered the title page, and contain Nortel Networks and third-party trademarks.

*Nortel Networks, the Nortel Networks logo, the Globemark, and Unified Networks, BNR, CallPilot, DMS, DMS-100, DMS-250, DMS-MTX, DMS-SCP, DPN, Dualmode, Helmsman, IVR, MAP, Meridian, Meridian 1, Meridian Link, Meridian Mail, Norstar, SL-1, SL-100, Succession, Supernode, Symposium, Telesis, and Unity are trademarks of Nortel Networks.

3COM is a trademark of 3Com Corporation.

ACCENT is a trademark of Accent Software International Ltd.

AMDEK is a trademark of Amdek Corporation.

AT&T is a trademark of American Telephone and Telegraph Corporation.

ATLAS is a trademark of Quantum Corporation.

ATRIA is a trademark of Pure Atria Corporation.

BLACKBERRY is a trademark of Research in Motion Limited.

CASEWARE is a trademark of Caseware International, Inc.

CONTINUUS is a trademark of Continuus Software Corporation.

CRYSTAL REPORTS is a trademark of Seagate Software Inc.

DEFINITY is a trademark of Avaya Inc.

DIALOGIC is a trademark of Dialogic Corporation.

EUDORA is a trademark of Qualcomm.

EXCHANGE.NET, INTERNET EXPLORER, LINKEXCHANGE, MICROSOFT, MICROSOFT EXCHANGE SERVER, MS-DOS, OUTLOOK, POWERPOINT, WINDOWS, WINDOWS MEDIA, and WINDOWS NT are trademarks of Microsoft Corporation.

GROUPWISE and NOVELL are trademarks of Novell Inc.

HITACHI is a trademark of Hitachi Limited.

INTEL is a trademark of Intel Corporation.

LOGITECH is a trademark of Logitech, Inc.

NETSCAPE COMMUNICATOR is a trademark of Netscape Communications Corporation.

NOTES is a trademark of Lotus Development Corporation.

PCANYWHERE is a trademark of Symantec Corporation.

PROMARK and RHOBOT are trademarks of DMI Promark, Inc.

RADISYS is a trademark of Radisys Corporation.

SLR4, SLR5, and TANDBERG are trademarks of Tandberg Data ASA.

SYBASE is a trademark of Sybase, Inc.

TEAC is a trademark of TEAC Corporation.

UNIX is a trademark of X/Open Company Limited.

US ROBOTICS, the US ROBOTICS logo, and SPORTSTER are trademarks of US Robotics.

VOICEBRIDGE is a trademark of Voice Technologies Group Inc.

WINRUNNER is a trademark of Mercury Interactive Corporation.

Publication history

October 2002

Standard 1.0 of the *CallPilot Installation and Configuration, Part 3: Succession CSE 1000 and CallPilot Server Configuration* is issued for general release.

Contents

- 1 CallPilot and Succession CSE 1000 system connectivity overview 9**
 - Overview 10
 - Symposium Voice Services Support 14
 - Section A: CallPilot network setup 17**
 - CallPilot and Succession CSE 1000 integration 18
 - Succession CSE 1000 hardware components 23
 - CallPilot MGate card and Succession CSE 1000 card slots 26
 - Succession CSE 1000 logical slot numbering 27
 - Section B: Understanding call routing 29**
 - Succession CSE 1000 call routing components 30
 - Phantom DNSs 33
 - CallPilot Service Directory Numbers and the SDN Table 35
 - How calls are routed 37
 - Multimedia channels in the CallPilot server 41
 - How multimedia channels are acquired by callers 42

- 2 Connecting the CallPilot server to the Succession CSE 1000 system 45**
 - About the MGate card 46
 - Installing the MGate card 48
 - Connecting the CallPilot server to the MGate card 59

3	Configuring the Succession CSE 1000 system	69
	Succession CSE 1000 hardware and software requirements	70
	Succession CSE 1000 configuration checklist	72
	Provisioning the ELAN	77
	Defining the Message Register for AML message tracing.	80
	Configuring Succession CSE 1000 IP addresses and enabling the Ethernet interface	81
	Defining CallPilot in the customer data block	85
	Configuring the ACD agent queue	91
	Configuring ACD agents	93
	Enabling the card slots	96
	Defining the default ACD DN	97
	Configuring CDN queues for messaging services	99
	Configuring phantom DNs	101
	Configuring dummy ACD DNs	105
	Provisioning user phonesets	107
	Configuring the route data block for Network Message Service	111
	Saving Succession CSE 1000 changes	113
4	Configuring the CallPilot server software	115
	Overview	116
	Logging on to Windows NT on the CallPilot server	118
	Logging on to the CallPilot server with CallPilot Manager	120
	Running the Configuration Wizard.	125
	Changing pcAnywhere caller passwords	127
5	Testing the CallPilot installation	129
	Checking that CallPilot is ready to accept calls	130
	Testing the connection to the ELAN	136
	Testing the connection to the CLAN	137
	Verifying that CallPilot can receive calls	138
	Testing the CallPilot software and channels.	139
	Index	153

Chapter 1

CallPilot and Succession CSE 1000 system connectivity overview

In this chapter

Overview	10
Symposium Voice Services Support	14
Section A: CallPilot network setup	17
CallPilot and Succession CSE 1000 integration	18
Succession CSE 1000 hardware components	23
CallPilot MGate card and Succession CSE 1000 card slots	26
Succession CSE 1000 logical slot numbering	27
Section B: Understanding call routing	29
Succession CSE 1000 call routing components	30
Phantom DNs	33
CallPilot Service Directory Numbers and the SDN Table	35
How calls are routed	37
Multimedia channels in the CallPilot server	41
How multimedia channels are acquired by callers	42

Overview

Introduction

This guide describes the Succession CSE 1000 system setup and CallPilot server configuration steps of the CallPilot installation. This includes

- configuring the Succession CSE 1000 system for correct operation with CallPilot
- connecting the CallPilot system to the Succession CSE 1000 system and the CLAN
- configuring the CallPilot server

Before you begin

Before you proceed with configuring the Succession CSE 1000 system and CallPilot server, review the “Installing CallPilot” section in Part 1 of the *CallPilot Installation and Configuration* binder, and complete stage 2 of the “Installation checklist.” This includes completing the worksheets provided in Part 1 of the *CallPilot Installation and Configuration* binder.

Note: If you need a high-level overview of CallPilot and Succession CSE 1000 connectivity, then read the remainder of this chapter. Otherwise, the installation steps begin as follows:

- for tower or rackmount servers: at Chapter 2, “Connecting the CallPilot server to the Succession CSE 1000 system,” on page 45
- for the 201i server: at Chapter 3, “Configuring the Succession CSE 1000 system,” on page 69

Complete the steps in each chapter before you continue to the next chapter.

Glossary and related information products

Refer to Part 1 of the *CallPilot Installation and Configuration* binder for the glossary and the list of related information products.

Installation and configuration checklist

Step	Description	Check
Stage 1: Install the connectivity hardware.		
<p>Note: For the 201i server, this stage is not applicable. Hardware connectivity is established when the 201i server is installed in the Succession CSE 1000 system, as described in Part 2 of the <i>CallPilot Installation and Configuration</i> binder.</p>		
1	<p>If your server is a tower or rackmount server, install the MGate card in the Succession CSE 1000 system.</p> <p>For instructions, see Chapter 2, “Connecting the CallPilot server to the Succession CSE 1000 system,” on page 45.</p>	<input type="checkbox"/>
2	<p>Connect the tower or rackmount server to the Succession CSE 1000 system.</p> <p>For instructions, see Chapter 2, “Connecting the CallPilot server to the Succession CSE 1000 system,” on page 45.</p>	<input type="checkbox"/>
Stage 2: Configure the Succession CSE 1000 system and CallPilot server.		
3	<p>Configure the Succession CSE 1000 system.</p> <p>Use the “Switch configuration worksheet” that you completed in Part 1 of the <i>CallPilot Installation and Configuration</i> binder.</p> <p>For configuration instructions, see Chapter 3, “Configuring the Succession CSE 1000 system,” on page 69.</p>	<input type="checkbox"/>

Step	Description	Check
4	Run the Configuration Wizard and configure the CallPilot server. Use the “Configuration Wizard worksheet” that you completed in Part 1 of the <i>CallPilot Installation and Configuration</i> binder. For configuration instructions, see Chapter 4, “Configuring the CallPilot server software,” on page 115.	<input type="checkbox"/>
5	Change the pcAnywhere passwords. For instructions, see “Changing pcAnywhere caller passwords” on page 127.	<input type="checkbox"/>

Stage 3: Test CallPilot connectivity.

Note: For instructions, see Chapter 5, “Testing the CallPilot installation,” on page 129.

6	Check CallPilot’s system ready indicators to see if CallPilot is ready to accept calls.	<input type="checkbox"/>
7	Test the connection to the ELAN, if applicable.	<input type="checkbox"/>
8	Test the connection to the CLAN.	<input type="checkbox"/>
9	Verify that CallPilot answers when you dial the Voice Messaging DN.	<input type="checkbox"/>

Stage 4: Test the CallPilot services and channels.

Note: For instructions, see Chapter 5, “Testing the CallPilot installation,” on page 129.

10	Check the system-ready indicators.	<input type="checkbox"/>
11	Verify network connectivity to the CallPilot server over the ELAN and CLAN.	<input type="checkbox"/>
12	Verify that CallPilot can receive calls.	<input type="checkbox"/>

Step	Description	Check
13	Verify that you can leave a message.	<input type="checkbox"/>
14	Verify that you can retrieve a message.	<input type="checkbox"/>
15	Verify that each call channel and multimedia channel is functioning correctly.	<input type="checkbox"/>

Stage 5: Install CallPilot Manager on a stand-alone web server (optional).

- | | | |
|----|--|--------------------------|
| 16 | Perform this step only if you want to set up a separate web server for CallPilot administration. This is necessary if the customer wants to use the Reporter application, or if high administration traffic is expected.

For instructions, refer to Part 4 of the <i>CallPilot Installation and Configuration</i> binder. | <input type="checkbox"/> |
|----|--|--------------------------|
-

Symposium Voice Services Support

Introduction

This section is applicable only if you are enabling the Symposium Voice Services Support feature. This section provides an overview of the specific Succession CSE 1000 configuration steps required for the Symposium Voice Services Support feature.

Configuring the Succession CSE 1000 system to support CallPilot and Symposium Call Center Server

This guide provides the specific Succession CSE 1000 system configuration instructions required to support CallPilot. Where there is an exception or additional step required for the Symposium Voice Services Support feature, this information is also provided. A list of these exceptions and additional steps is provided below:

1. In overlay 17 (see “Provisioning the ELAN” on page 77), the SECU prompt must be set to YES.
2. You must set up two additional ACD agent queues: one for ACCESS ports, and one for IVR ports. See “Configuring the ACD agent queue” on page 91.
3. In overlay 11, you must specify AST 0 1, where 0 is the number for key 0, and 1 is the number for key 1.

Configuring CallPilot for Symposium Voice Services Support

1. In the Configuration Wizard, you must specify the following information for the Symposium Voice Services Support feature:
 - On the Succession CSE 1000 Information web page, you must specify the Symposium Call Center Server CLAN IP address.

- In the Channel Detail Information dialog box, you must select the check box for ACCESS or IVR for channels that are to be used for the Symposium Voice Services Support feature. These are the same channels that you must program on the Succession CSE 1000 system in an ACCESS ACD queue or IVR ACD queue.

Also specify the Class ID for the channel.

2. In the CallPilot Manager Service Directory Number page, do the following:

- Use the ACCESS ACD-DN to create an SDN for the Symposium Voice Services Support feature.
- Define treatment IDs used by Symposium Call Center Server as voice menus or announcements.

See also

Refer to the Symposium Call Center Server documentation for additional Succession CSE 1000 system instructions related to Symposium Call Center Server configuration.

Section A: CallPilot network setup

In this section

CallPilot and Succession CSE 1000 integration	18
Succession CSE 1000 hardware components	23
CallPilot MGate card and Succession CSE 1000 card slots	26
Succession CSE 1000 logical slot numbering	27

CallPilot and Succession CSE 1000 integration

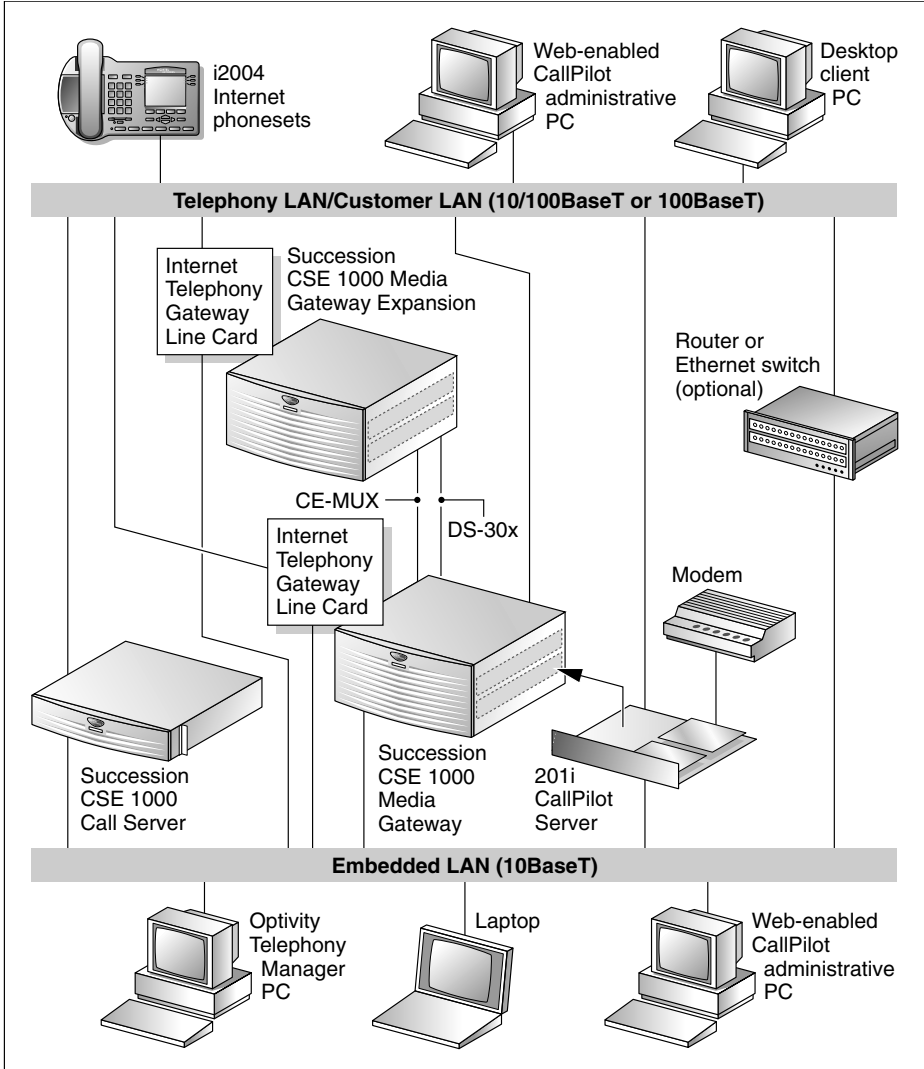
Introduction

This section describes how the CallPilot server is integrated into your network with the Succession CSE 1000 system.

Sample network diagrams

201i server

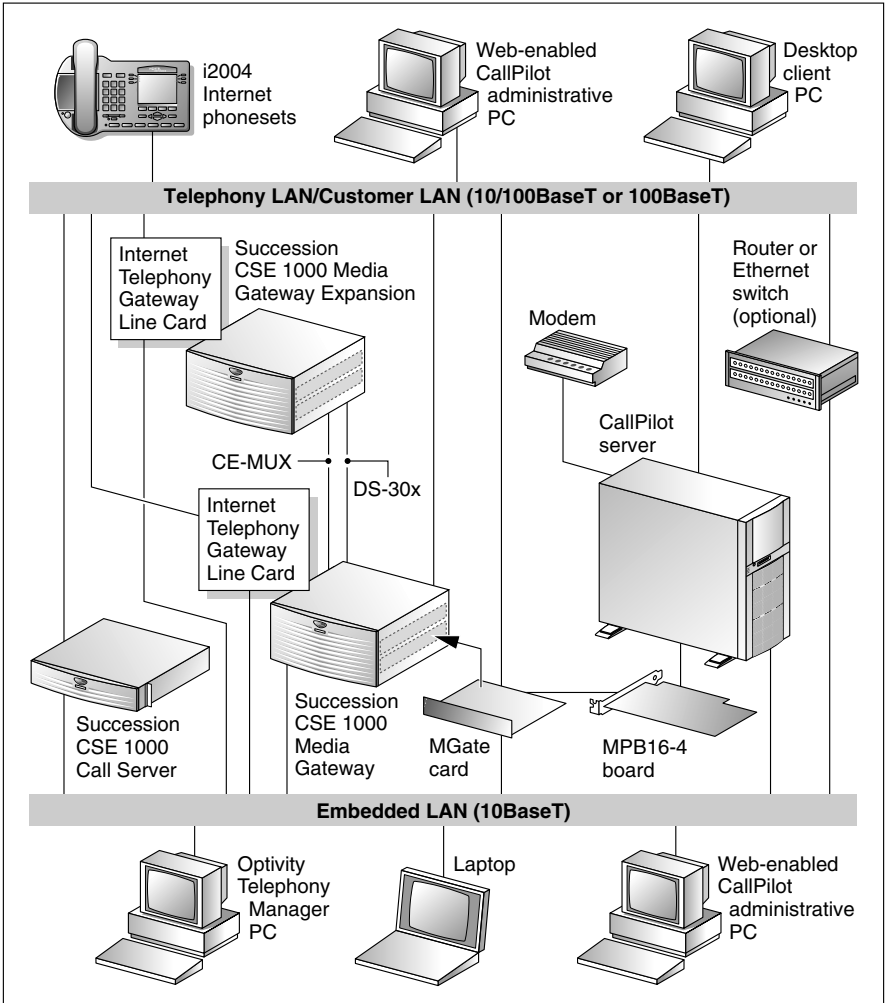
The following diagram shows an example of how the 201i server can be integrated with the Succession CSE 1000 system in your network:



G101630

Tower or rackmount servers

The following diagram shows an example of how a tower or rackmount server can be integrated with the Succession CSE 1000 system in your network:



G101636

Note: The above diagram shows a tower server. However, the same configuration applies to a rackmount server.

Succession CSE 1000 network setup

In the previous illustrations, the telephony LAN (TLAN) provides IP connectivity between the Succession CSE 1000 system and the i2004 Internet phonesets. The connection between the Call Server and Media Gateway can be point-to-point, or it can be through the LAN, if the system is installed in a distributed data network.

For information about the Succession CSE 1000 system and i2004 Internet phoneset bandwidth and network requirements, refer to the *Succession Communication Server for Enterprise 1000 Planning and Installation Guide* (NTP 553-3023-210).

For a description of each Succession CSE 1000 system component, see “Succession CSE 1000 hardware components” on page 23.

CallPilot components

CallPilot server

The CallPilot server connects to the Succession CSE 1000 system and, where desktop messaging is enabled, the customer LAN (CLAN). If your server is a 201i server, it resides inside the Succession CSE 1000 system.

MGate card (for tower and rackmount servers only)

The MGate card is a line card that is installed inside the Succession CSE 1000 system. The MGate card sends the voice and data signals to the MPB16-4 boards in the CallPilot server.

MPB16-4 board (for tower and rackmount servers only)

An MPB16-4 board has two integrated MPC-8 cards and four bays for additional optional MPC-8 cards.

Each tower or rackmount CallPilot server ships with at least one MPB16-4 board.

MPC-8 cards

The MPC-8 cards reside in slots in the 201i server, or in the MPB16-4 board for tower or rackmount servers. These cards process the voice and data signals that arrive from the Succession CSE 1000 system.

See also “Multimedia channels in the CallPilot server” on page 41.

Modem

The server connects to a modem to allow remote access by a support PC for installation, maintenance, and diagnostics.

Desktop client PCs

You can install desktop client messaging software on client PCs to enable mailbox users to receive phone, fax, and voice mail on their PCs. For more information, refer to the *Desktop Messaging Installation Guide* (NTP 555-7101-505).

Any PC that has network access to the CallPilot server and has a web browser installed can be used to administer CallPilot. The CallPilot administration is web-based.

Succession CSE 1000 hardware components

Introduction

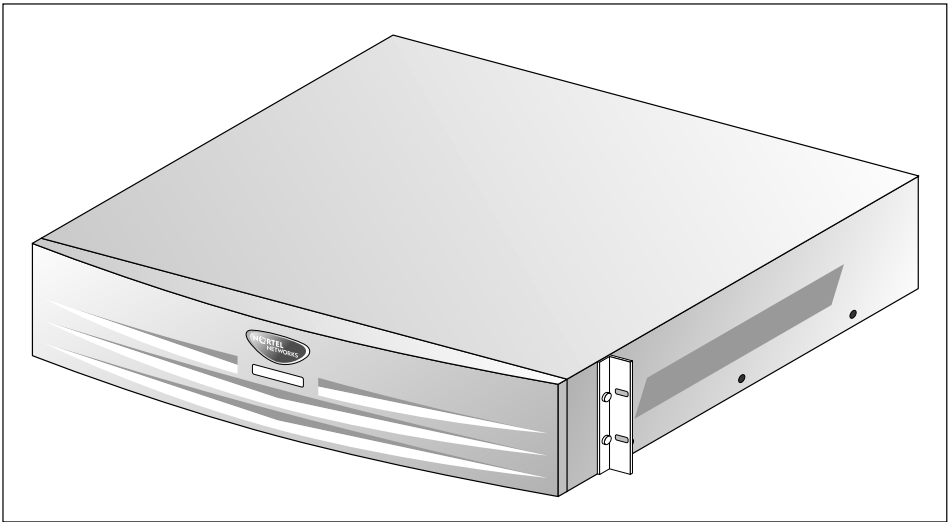
The Succession CSE 1000 system consists of the following major components:

- Call Server
- Media Gateway
- Media Gateway Expansion

Call Server

The Call Server provides telephony services and call processing. It supports up to four Media Gateways and four Media Gateway Expansions when the Small System Controller (SSC) card inside the unit is fully populated with two dual-port 100BaseT daughterboards.

The following diagram shows the Call Server:



G101623

Media Gateway and Media Gateway Expansion

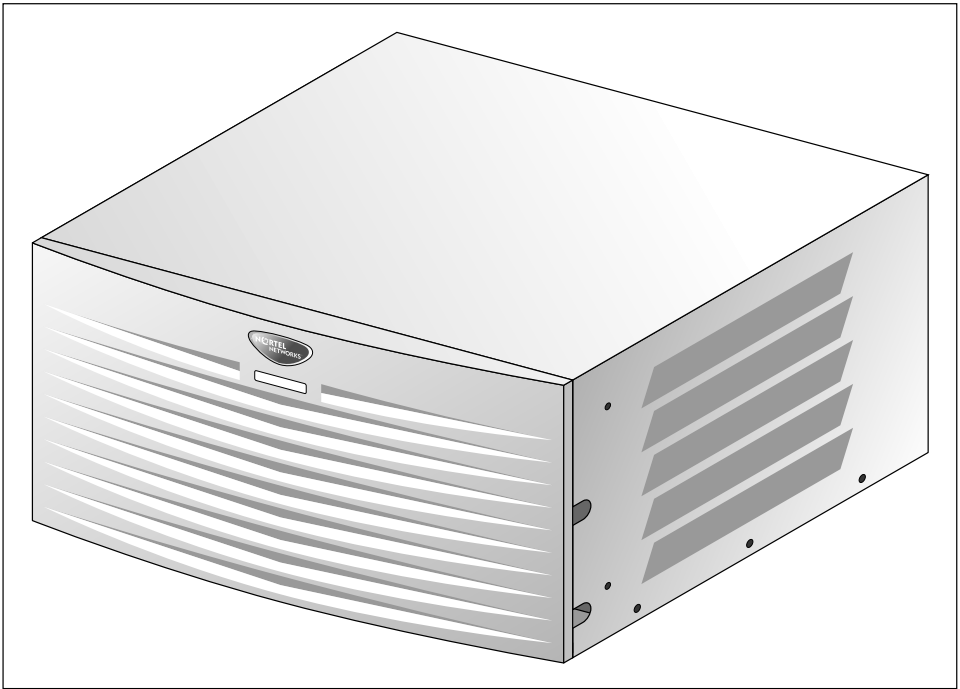
The Media Gateway and Media Gateway Expansion provide the interface for analog or digital trunks, i2004 Internet phonesets, analog phonesets, and applications such as CallPilot.

The Media Gateway provides three slots, and the Media Gateway Expansion provides four slots. These slots support cards such as analog line cards, trunk cards, and application cards. The CallPilot 201i server is an application card that occupies two consecutive slots. The MGate card is a line card that occupies only one slot.

Note: For a list of the cards that are supported by the Succession CSE 1000 system, refer to the *Succession Communication Server for Enterprise 1000 Planning and Installation Guide* (NTP 553-3023-210).

You can connect Media Gateway Expansion to the Media Gateway to increase system capacity.

The following diagram shows the Media Gateway:



G101624

Except for the back panel connectors, the Media Gateway Expansion is similar in external appearance to the Media Gateway.

CallPilot MGate card and Succession CSE 1000 card slots

Introduction

The MGate card (applicable to tower or rackmount servers only) occupies one slot in the Succession CSE 1000 system. This section identifies the slots in which you can install the MGate card and their relationship to logical slot numbers.

Note: For information about the Succession CSE 1000 card slots in relation to the 201i server, refer to Part 2 of the *CallPilot Installation and Configuration* binder.

Eligible and ineligible slots

The following table identifies the Media Gateway and Media Gateway Expansion slots into which you can install the CallPilot MGate card:

Unit	The MGate card can be installed in	Ineligible slots
Media Gateway	Slots 1, 2, or 3	Slot 0 is dedicated to the SSC card. Slot 4 (includes slots 5 and 6) is not used.
Media Gateway Expansion	Slots 7, 8, or 9	Slot 10 is a double-wide slot. The second half of this slot does not have a backplane connector.

For more information about cards and slots, refer to the *Succession Communication Server for Enterprise 1000 Planning and Installation Guide* (NTP 553-3023-210).

Succession CSE 1000 logical slot numbering

Introduction

When you configure the Succession CSE 1000 system, use the logical slot numbers identified in this section for each Media Gateway and Media Gateway Expansion.

Units 1 and 2

Media Gateway and Media Gateway Expansion 1		Media Gateway and Media Gateway Expansion 2	
Physical slot	Logical slot	Physical slot	Logical slot
Media Gateway		Media Gateway	
1	11	1	21
2	12	2	22
3	13	3	23
4	Not supported	4	Not supported
5	Not supported	5	Not supported
6	Not supported	6	Not supported
Media Gateway Expansion		Media Gateway Expansion	
7	17	7	27
8	18	8	28
9	19	9	29

Media Gateway and Media Gateway Expansion 1		Media Gateway and Media Gateway Expansion 2	
Physical slot	Logical slot	Physical slot	Logical slot
10	20	10	30

Units 3 and 4

Media Gateway and Media Gateway Expansion 3		Media Gateway and Media Gateway Expansion 4	
Physical slot	Logical slot	Physical slot	Logical slot
Media Gateway		Media Gateway	
1	31	1	41
2	32	2	42
3	33	3	43
4	Not supported	4	Not supported
5	Not supported	5	Not supported
6	Not supported	6	Not supported
Media Gateway Expansion		Media Gateway Expansion	
7	37	7	47
8	38	8	48
9	39	9	49
10	40	10	50

Section B: Understanding call routing

In this section

Succession CSE 1000 call routing components	30
Phantom DNs	33
CallPilot Service Directory Numbers and the SDN Table	35
How calls are routed	37
Multimedia channels in the CallPilot server	41
How multimedia channels are acquired by callers	42

Succession CSE 1000 call routing components

Introduction

The Succession CSE 1000 system uses the following components to route calls:

- Automatic Call Distribution (ACD)
- Control Directory Number (CDN)

Automatic Call Distribution

Automatic Call Distribution (ACD) is a feature on the Succession CSE 1000 system that allows a number of programmed phonesets, known as ACD agents, to share equally in answering incoming calls. In the case of CallPilot, the call-queuing capability of ACD is not used, but the call-handling capability of ACD agents is used.

How CallPilot uses ACD virtual agents

All ACD agents that service CallPilot are put into a single ACD agent queue (unless you are enabling the Symposium Voice Services Support feature; see “How multimedia channels are acquired by callers” on page 42). These agents correspond to DS0 channels on the CallPilot server. Agents are programmed in overlay 11 as 2008 Digital (Aries) sets with Multimedia Messaging Allowed (MMA) class of service. These are not, however, physical phonesets. These are Terminal numbers (TNs) that are programmed to look like real digital sets to the Succession CSE 1000 system.

Control Directory Number

For CallPilot, you configure one Control Directory Number (CDN) on the Succession CSE 1000 system for each of the following services:

- a primary CDN for Voice Messaging
- a secondary CDN for Multimedia Messaging

A CDN queue is like an ACD queue. The key difference is that calls in the CDN queue are managed by CallPilot, while calls in an ACD queue are managed by the Succession CSE 1000 system.

Calls are routed to the CDN queue directly or by terminating on a phantom DN or dummy ACD queue, which is forwarded to the CDN.

How CallPilot uses CDNs

A CDN can operate in one of two modes:

- control mode
- default mode

Normally, a CDN operates in control mode. In control mode, call treatment and call routing are under the control of the CallPilot server. The Succession CSE 1000 system simply provides routing to CallPilot. The server specifies the type of treatment to be given to waiting calls. The server processes the calls on a first-come, first-served basis and determines to which DS0 channel the call is routed. DS0 channels are configured as agents of an ACD queue.

A CDN can also operate in default mode (that is, CallPilot is offline or the AML is down). In default mode, the Succession CSE 1000 system takes over call-routing control. Incoming calls receive default treatment provided by the default ACD DN associated with the CDN.

Call queuing

Incoming calls to the CDN are queued in the order of arrival. If calls cannot be processed immediately and must wait in the queue until resources are available, the first caller in the queue is handled first.

Call routing

The CallPilot server determines which DS0 channel can provide the dialed service requested by a waiting call, and instructs the Succession CSE 1000 system to route the call to the associated ACD agent.

See also

- “Phantom DNs” on page 33
- “CallPilot Service Directory Numbers and the SDN Table” on page 35

Phantom DNs

Introduction

Instead of using phonesets or dummy ACD DNs to route calls, CallPilot can use “virtual telephones” that exist only in software and have no associated hardware. The DN associated with one of these phantom phones is called a phantom DN.

Creating a Phantom DN

To create a phantom DN, you first create a phantom loop, and then define a TN within that loop. The system knows that any TN defined within that loop is a phantom TN. Each phantom TN is assigned a DN (the phantom DN). When the DN is entered in the CallPilot Service Directory Number page, it becomes the dialable number of a CallPilot service.

Phantom DNs forward to a CDN queue

Incoming calls cannot queue up in the phantom TN as they arrive. When a call arrives at a phantom DN, the system forwards it to a CDN queue before it is routed to a multimedia channel for further call handling. However, the system remembers the phantom DN to keep track of the requested service.

Services that should use phantom DNs

Nortel Networks strongly recommends that you use either phantom DNs or dummy ACD DNs (see “Configuring dummy ACD DNs” on page 105) for the following services:

- all services created with Application Builder that are directly dialable by callers
- Speech Activated Messaging
- Paced Speech Messaging

- Voice Item Maintenance
- Fax Item Maintenance
- Express Voice Messaging
- Express Fax Messaging

Networking services

The following Networking services can either have a unique phantom DN configured on the Succession CSE 1000 system, or they can share the phantom DN (and SDN) of another service:

- Enterprise Networking
- AMIS Networking
- Integrated AMIS Networking

Share DNs when your supply of available DNs on the Succession CSE 1000 system is low. Create a unique DN when you need to closely monitor each service (for example, so that each service generates its own traffic data in Reporter).

Note: After you configure the SDN in CallPilot, specify with which service you are sharing the SDN.

Example

You are ready to put a new menu application into service. Phantom DN 6120 is available on the Succession CSE 1000 system. In the Service Directory Number page, you enter 6120 as the SDN for this service. This is the number that callers dial to access the menu.

CallPilot Service Directory Numbers and the SDN Table

Introduction

When a call arrives at a CDN queue either directly or indirectly from a phantom DN or dummy ACD DN, the Succession CSE 1000 system gives the caller ringback treatment. While this happens, the dialed DN is looked up in the SDN Table in CallPilot to determine what service is required.

What is the SDN Table?

The SDN Table is where the CDNs, phantom DNs, or dummy ACD DNs that have been configured on the Succession CSE 1000 system for your CallPilot services are recorded. In this table, the DN (now called an SDN) is associated with a specific service. You use CallPilot Manager Service Directory Number page to administer the SDN Table.

What the SDN Table controls

In addition to specifying which service should be activated when a number is dialed, the SDN Table also controls

- the type of channel the service acquires (voice, fax, or speech recognition)
- the number of channels allocated to the service

The SDN configuration determines the minimum number of channels guaranteed to a service for simultaneous use and the maximum number of channels that you can use at one time.

- the session behavior for certain services, such as those created with Application Builder (including the maximum session length and a number of fax options)

Types of SDNs

There are two types of SDNs—inbound SDNs and outbound SDNs.

Inbound SDNs require DNs on the Succession CSE 1000 system

Services that callers dial need inbound SDNs. An inbound SDN corresponds to either a CDN, a phantom DN, or a dummy ACD DN on the Succession CSE 1000 system, since callers must be able to dial in to the Succession CSE 1000 system with a unique number.

Outbound SDNs do not need DNs on the Succession CSE 1000 system

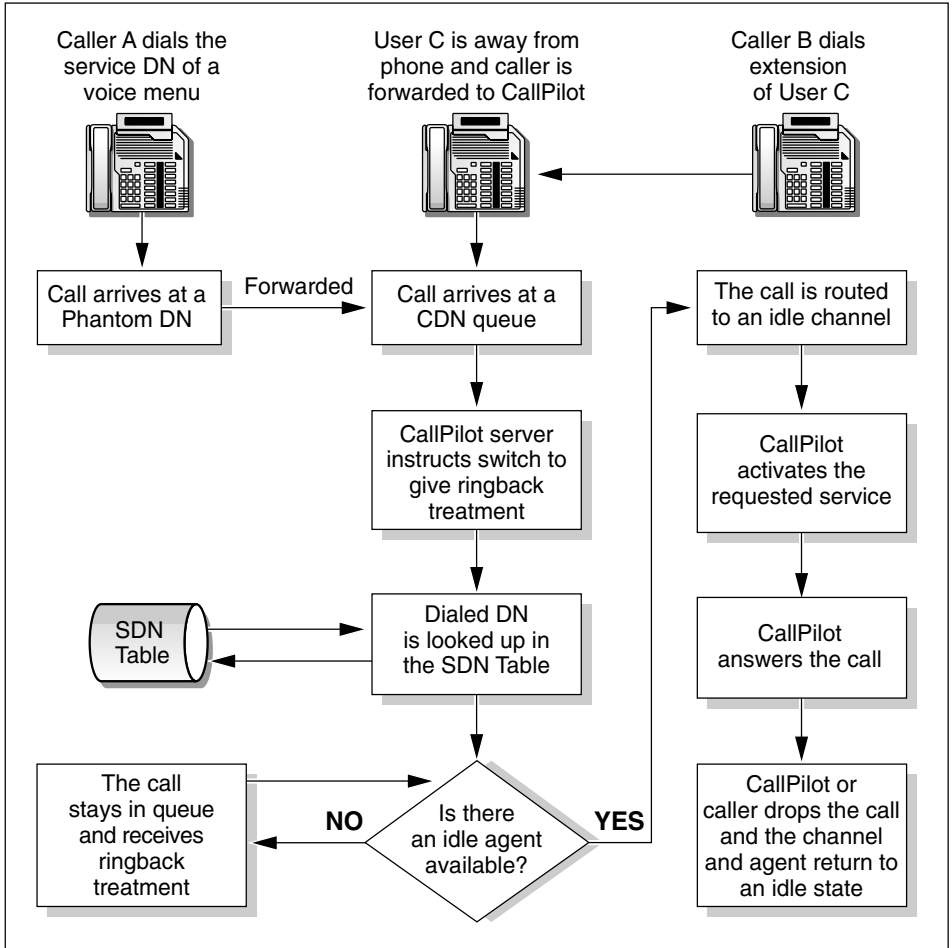
Callers do not dial outbound SDNs. The system uses outbound SDNs to place outbound calls. Since outbound SDNs do not accept incoming calls, a corresponding CDN, phantom DN, or dummy ACD DN is not necessary on the Succession CSE 1000 system.

The following services use outbound SDNs:

- outcalling services (Remote Notification, Delivery to Telephone, Delivery to Fax)
- networking services (AMIS and Enterprise)

How calls are routed

Call flow example



G101145

Note: The example above uses a phantom DN. The same call flow occurs when a caller dials a dummy ACD DN.

Example of phantom DN or dummy ACD DN usage

ATTENTION

The example below uses phantom DNs. The same call flow occurs when a caller dials a dummy ACD DN.

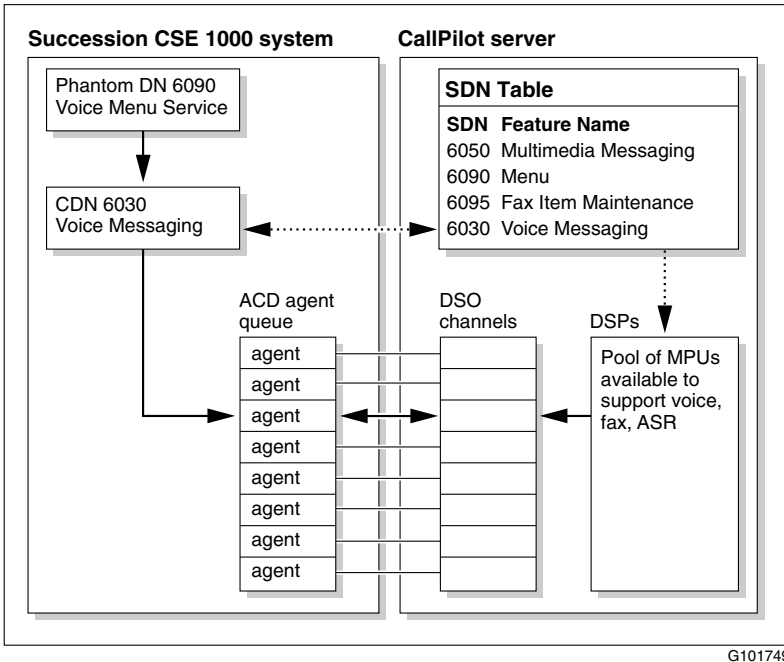
Two CDN queues have been configured:

- Voice Messaging (6030)
- Multimedia Messaging (6050)

Two phantom DNs have been configured (the same scenario applies if these are set up as dummy ACD DNs):

- 6090 is the DN for a menu service (without fax items)
- 6095 is the DN for Fax Item Maintenance

In this example, when the calls come in to the Succession CSE 1000 system, there are no available channels and the calls are queued as a result:



What happens when users dial the service DNs

1. A caller dials 6090 to access a menu service. This phantom DN forwards to CDN 6030 because the menu contains no fax or speech recognition capability.
2. Another caller dials 6095 to access the Fax Item Maintenance service. The call is forwarded to CDN 6050.
3. CallPilot looks up the DNs in the SDN Table on the server to check which service is being requested, the media type required, and the channel allocations for each service.
4. Call 1, to the menu service that contains only voice functions (no fax items), is routed to an ACD agent that is available to handle voice.

5. Call 2, to the Fax Item Maintenance service, is routed to an ACD agent that is available to handle fax.

Multimedia channels in the CallPilot server

Multimedia Processing Units

Calls that come in to CallPilot need processing power to support the voice, fax, and speech recognition features. This processing power is provided by Multimedia Processing Units (MPUs) in the CallPilot server. The MPB16-4 board and the MPC-8 cards in the CallPilot server provide the MPUs.

Types of multimedia channels

Certain types of media need more channel resources to process them. As a result, three types of multimedia channels handle the various types of CallPilot services.

Each type of channel terminates on a different number of MPUs, based on how much processing power is required. For example, integrated fax and voice data takes twice as much processing power as voice-only media. A fax channel, therefore, terminates on two MPUs.

Channel type	Description	# of MPUs
Voice	One voice channel requires one MPU.	1
Fax	Fax needs twice as much processing power as voice-only media, and, therefore, requires two MPUs for one fax channel.	2
ASR (automated speech recognition)	Speech recognition needs four times as much processing power as voice-only media, and, therefore, requires four MPUs for one speech recognition channel.	4

How multimedia channels are acquired by callers

Introduction

The system uses the information gathered from the SDN configuration to check the ACD agent queue to determine if there is an idle multimedia channel of the type required by the service.

What happens if no channels are idle

If there is an idle channel (of the needed media type), the system passes the call to CallPilot.

If there are no idle channels that meet the requirements defined in the SDN Table, the call remains in the CDN queue and the system applies a delay treatment.

The server specifies a default delay treatment of ringback. This means that while a call waits in a queue, the caller hears the phone ringing.

What happens when the call is answered

Once a multimedia channel of the appropriate type becomes idle, the call arrives at the multimedia channel and is passed to CallPilot.

Since the SDN Table has already been checked, the requested service is known and is activated. The service also answers the call.

Based on which service is activated, one of the following results happens:

- The appropriate prompt is played.
- CallPilot receives a fax.
- CallPilot records a message.

What happens when the call is dropped

Once CallPilot or the caller drops the call (hangs up), the multimedia channel returns to an idle state, ready to be acquired by another call.

What's next?

IF your server is a	THEN
tower or rackmount server	continue with Chapter 2, "Connecting the CallPilot server to the Succession CSE 1000 system," on page 45.
201i server	continue with Chapter 3, "Configuring the Succession CSE 1000 system," on page 69.

Chapter 2

Connecting the CallPilot server to the Succession CSE 1000 system

In this chapter

About the MGate card	46
Installing the MGate card	48
Connecting the CallPilot server to the MGate card	59

About the MGate card

Introduction

The MGate card (NTRB18CA) is the line interface card in the Succession CSE 1000 system that supports the call channels for CallPilot. A DS30X cable connects the MGate card to the CallPilot server.

Note: The MGate card is hot-swappable. Therefore, you do not need to power down the Succession CSE 1000 system before installing or removing an MGate card.

ATTENTION

An MGate card is not used with the 201i server. For the 201i server, the connection to the Succession CSE 1000 system is established in Part 2 of the *CallPilot Installation and Configuration* binder when the server is installed in the Media Gateway or Media Gateway Expansion.

The number of channels supported

Each MGate card supports 32 channels. These 32 channels can be any combination of voice, fax, and automated speech recognition channels. For example, you can have 16 voice, 8 fax, and 8 automated speech recognition channels supported by a single MGate card.

On the CallPilot server side, additional DSP MPUs are required to support fax or automated speech recognition channels, but this does not affect the number of channels supported by the MGate card.

The impact of a faulty MGate card

When an MGate card is faulty, the Succession CSE 1000 system may or may not recognize that the card is faulty. If the Succession CSE 1000 system recognizes that the MGate card is faulty, it automatically disables the MGate card and informs CallPilot that the MGate card is faulty.

If the Succession CSE 1000 system does not recognize that the card is faulty, it does not automatically disable the faulty MGate card. In this situation, you must use overlay 32 to manually disable the MGate card slot.

The DS0 channels associated with the disabled MGate card are taken out of service by CallPilot and assigned a Remote Off Duty status. If there are multiple MGate cards, then CallPilot continues to use the DS0 channels associated with the functioning MGate cards.

Required components

Component	Part number	Description
MGate card	NTRB18CA	Installed in the Media Gateway or Media Gateway Expansion.
DS30X cable (for MPB16-4)		Connects the MPB16-4 boards in the CallPilot server to the MGate cards in the Media Gateway or Media Gateway Expansion.
<ul style="list-style-type: none"> ■ Single cable ■ Dual cable 	<p>NTRH2012</p> <p>NTRH2013</p>	



CAUTION

Risk of data loss

The MGate card is shipped from the factory with the appropriate DS30X cables. Do not substitute other versions of these boards and cables in the configurations specified in this documentation, as this can result in data loss.

Installing the MGate card

Introduction

This section describes how to

- set the MGate card's DIP switches
- install the MGate card in the Media Gateway or Media Gateway Expansion
- replace the MGate card

Before you begin

Determine which slot you will use to house the MGate card. The following table identifies the Media Gateway and Media Gateway Expansion slots into which you can install the CallPilot MGate card:

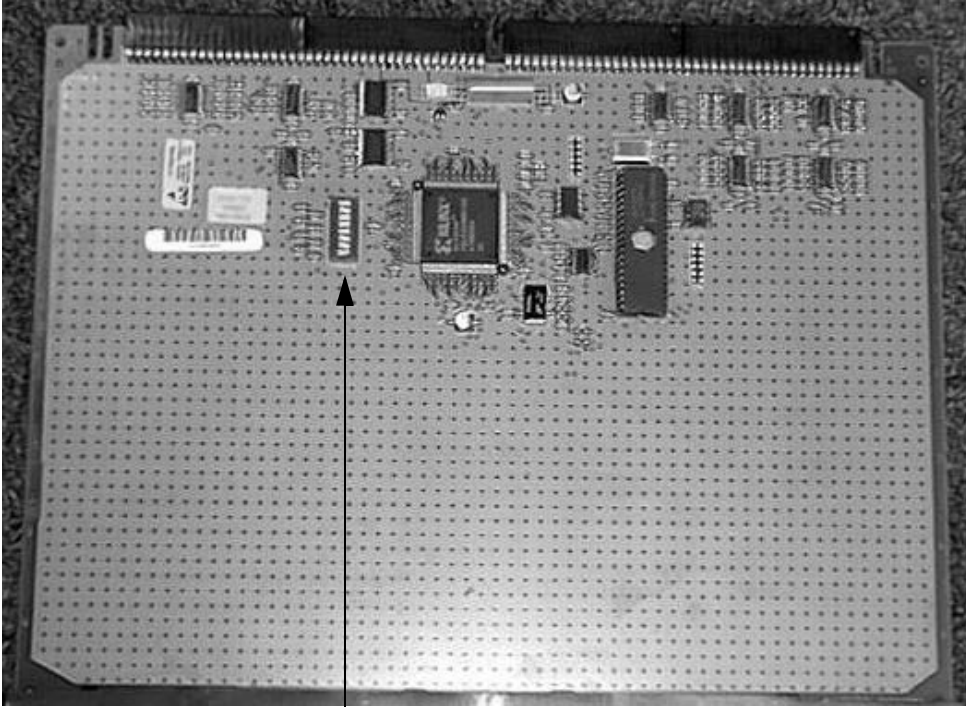
Unit	The MGate card can be installed in	Ineligible slots
Media Gateway	Slots 1, 2, or 3	Slot 0 is dedicated to the SSC card. Slot 4 (includes slots 5 and 6) is not used.
Media Gateway Expansion	Slots 7, 8, 9, or 10	Not applicable

Note: If you are installing more than one MGate card, they do not have to be installed adjacent to one another within a single cabinet. You do not have to install all MGate cards inside the same cabinet.

For more information about card slots, refer to the *Succession Communication Server for Enterprise 1000 Planning and Installation Guide* (NTP 553-3023-210).

The MGate card

The following photograph of an MGate card shows the location of the DIP switches:



DIP Switches

To set the MGate card's DIP switches

- 1 Remove the MGate card from its protective sleeve.
- 2 Set the DIP switches on the MGate card as shown in the following table. These DIP switch settings are used for all MGate cards and all system configurations:

	1	2	3	4	5	6	7	8
ON	X	X	X				X	
OFF				X	X	X		X

To remove the front bezel and inside front cover plate

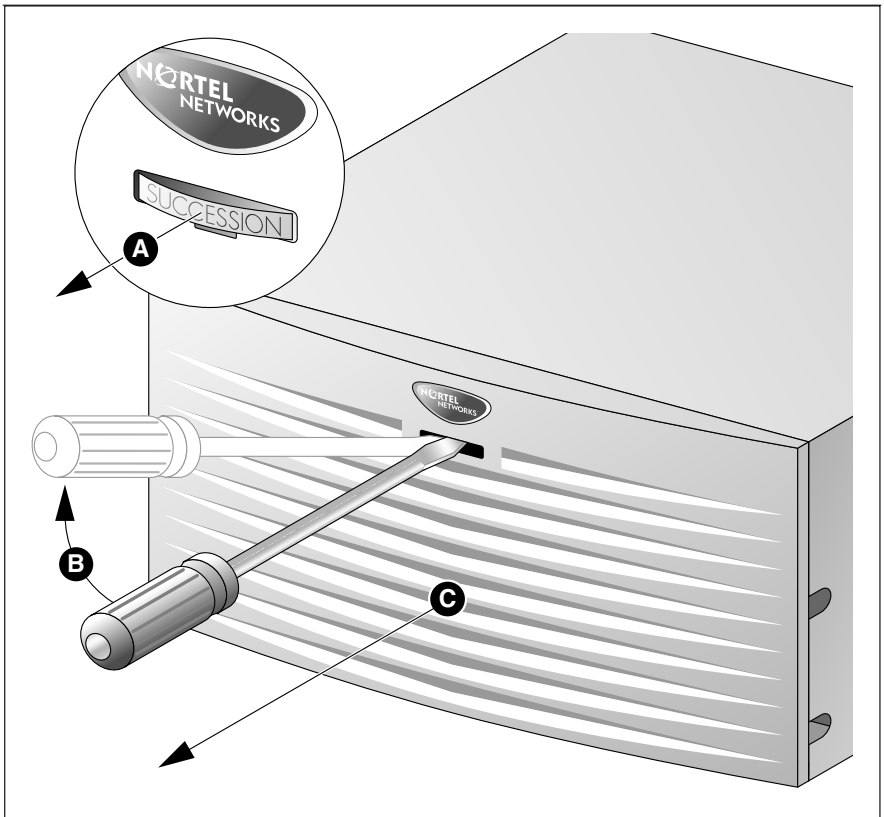


WARNING

Risk of eye injury

Nortel Networks recommends that you operate the Media Gateway and Media Gateway Expansion with their front bezels installed. When the blue LEDs inside these units are lit, they are very bright. Avoid staring at them.

- 1 Remove the front bezel from the Media Gateway or Media Gateway Expansion as follows:



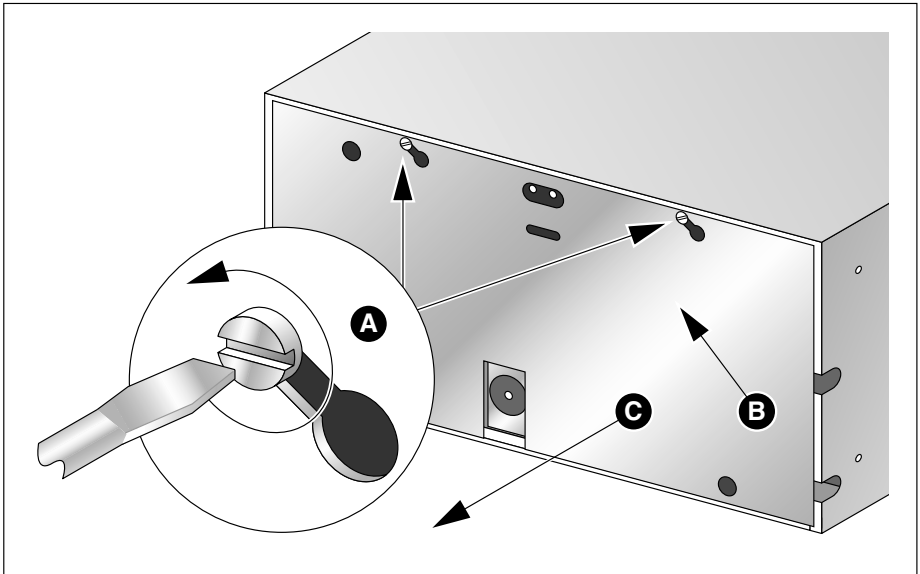
G101620

- a. Use a slot screwdriver to gently pry off the SUCCESSION label.
- b. Insert the screwdriver approximately 2 cm (.75 in.) into the open slot, and then gently lift the screwdriver handle, thus applying downward pressure on the tab inside the bezel.

At the same time, gently pull the bezel away from the chassis (approximately 2 cm [.75 in.]) until the inside tab has cleared the catch.

- c. Grasp the bezel by both sides and carefully pull it straight away from the Media Gateway or Media Gateway Expansion.

2 Remove the inside front cover plate as follows:



G101621

- a. Use a screwdriver to loosen each screw on the top of the inside front cover plate by three turns.

ATTENTION

Do not remove the screws.

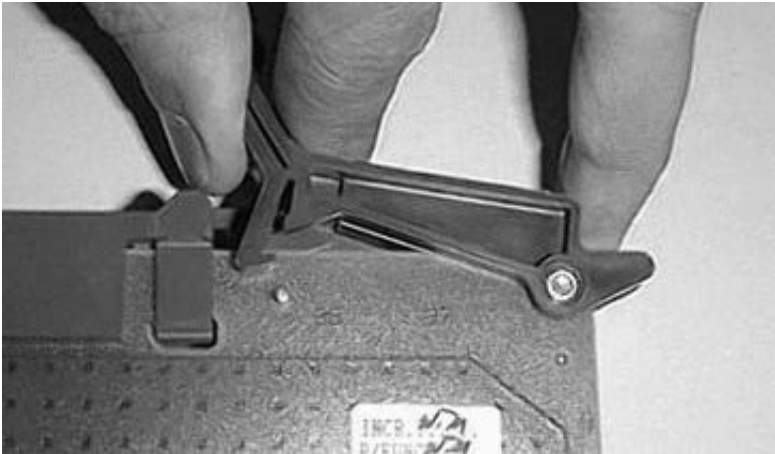
- b. Apply pressure and slide the inside front cover plate upward *to the left* until the screw holes are aligned with the screw heads.

- c. Pull the inside front cover plate away from the Media Gateway or Media Gateway Expansion.

To install the MGate card inside the Media Gateway or Media Gateway Expansion

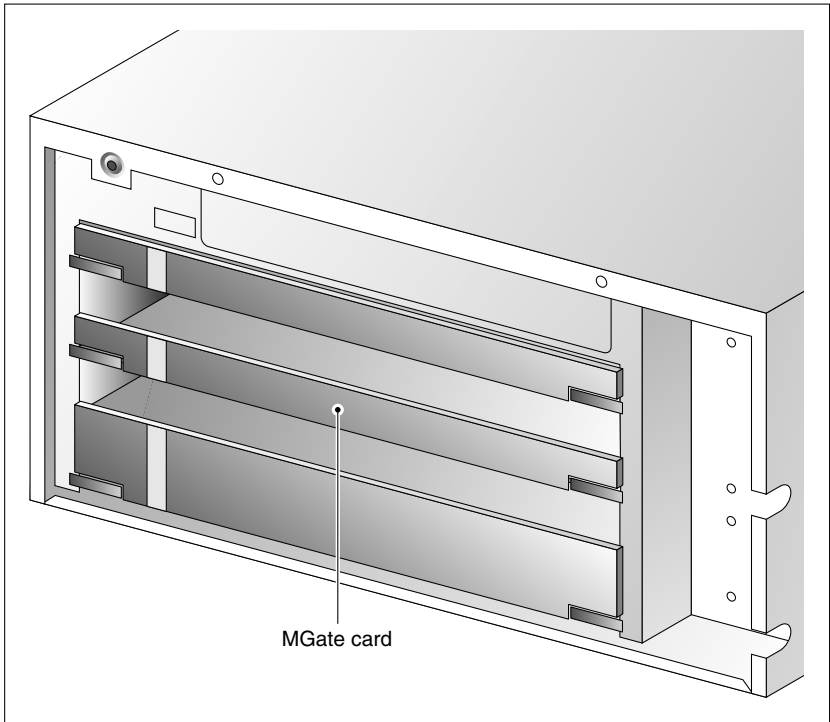
- 1 Remove the Media Gateway or Media Gateway Expansion cover.
For instructions, see “To remove the front bezel and inside front cover plate” on page 51.
- 2 Ensure that the slot in which you are installing the MGate does not already have a cable connected.
- 3 Press and pull the top and bottom latches on the MGate card outward to open the latches for installation of the card.

A hook on the bottom of the latch must clear a small pin to open.



- 4 Slide the MGate card into an unoccupied slot.

When correctly inserted, the top of the MGate card is on the left. See the following diagram:



G101597

5 Press the lock latches to close them.

This locks the MGate card into position against the backplane.

6 View the status of the LED indicators to ensure that

- the card is software-enabled (Red LED is OFF)
- the card is operational (Green LED is ON)

For more information about the LEDs, see “LED indicators” on page 55.

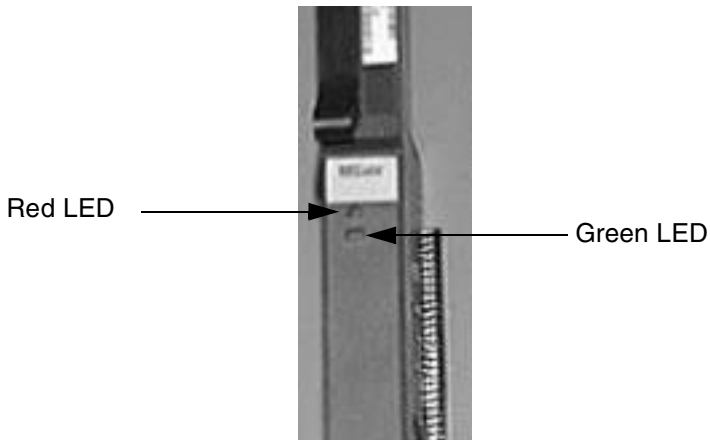
- 7 Replace the inside front cover plate and front bezel. See “To replace the inside front cover plate” on page 57 and “To replace the front bezel” on page 58.

ATTENTION

Ensure that the tabs on the bottom and right side of the inside front cover plate are positioned inside the Media Gateway or Media Gateway Expansion.

LED indicators

The MGate card has red and green LED indicators on the faceplate.



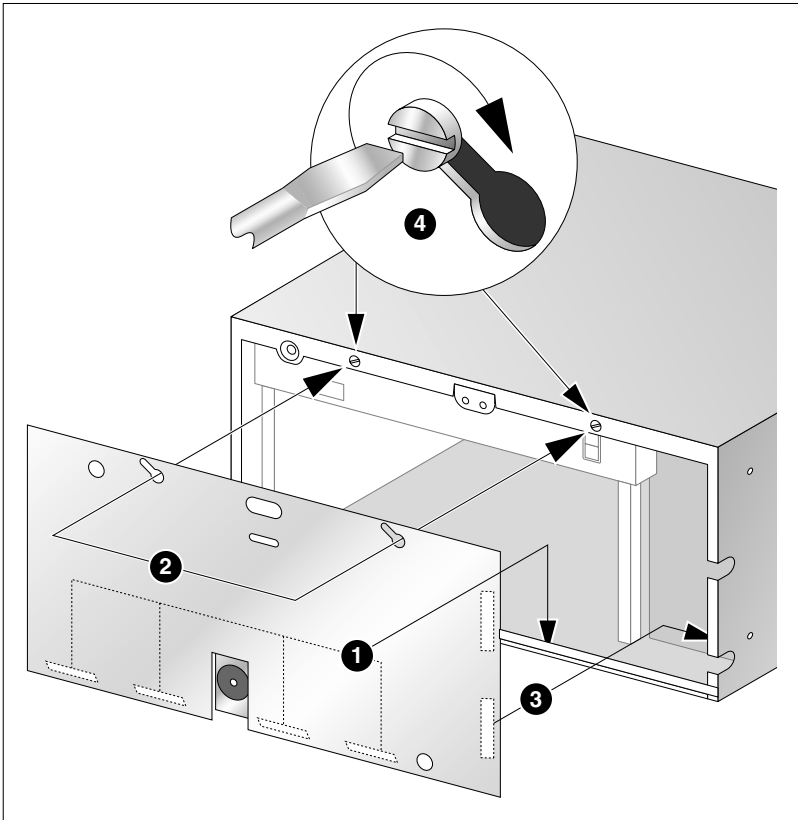
Combined LED states

The combined state of the red and green LEDs provides important indicators of the MGate card's status.

Red LED	Green LED	Description
OFF	ON	The MGate card is enabled in the Succession CSE 1000 system software, and the MGate card is operational.
OFF	OFF	The MGate card is not receiving power, or the MGate card is faulty.
ON	ON	The MGate card is disabled in the Succession CSE 1000 system software, but the MGate card is operational.
ON	OFF	The MGate card is disabled in the Succession CSE 1000 system software, and the MGate card is faulty.
Blinking	Blinking	The MGate card is executing self-test diagnostics.

To replace the inside front cover plate

The following diagram provides an overview of how to install the inside front cover plate:



G101625

- 1 Insert the bottom tabs of the front cover plate inside the bottom rail.
- 2 Align the screw holes on the front cover plate over the screw heads on the Media Gateway or Media Gateway Expansion.
- 3 Slide the front cover plate downward to the right, ensuring that the side tabs slide behind the side rail.
- 4 Tighten the screws to secure the front cover plate.
- 5 Continue with “To replace the front bezel” on page 58.

To replace the front bezel

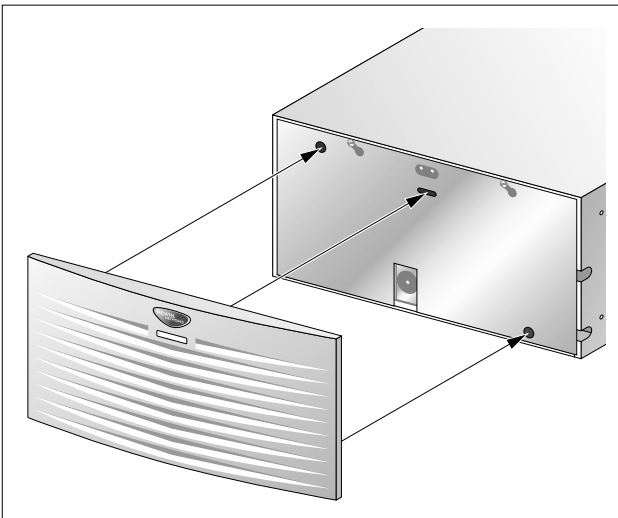


WARNING

Risk of eye injury

Nortel Networks recommends that you operate the Media Gateway and Media Gateway Expansion with their front bezels installed. When the blue LEDs inside these units are lit, they are very bright. Avoid staring at them.

- 1 Align the two posts and the locking tab on the rear of the front bezel with the slots on the inside front cover plate.



G101622

- 2 Push the bezel toward the Media Gateway or Media Gateway Expansion until it snaps into place.
- 3 Replace the SUCCESSION label.

What's next?

Continue with “Connecting the CallPilot server to the MGate card” on page 59.

Connecting the CallPilot server to the MGate card

Introduction

The MGate card ships from the factory with the appropriate MPB16-4 and DS30X cables, as follows:

- The NTRH2012 cable is a single DS30X cable that connects one MPB16-4 board to one MGate card.
- The NTRH2013 cable is a dual DS30X cable that connects the first of two MPB16-4 boards to two MGate cards. The connectors on the NTRH2013 dual DS30X cable are labeled DS30X-1 and DS30X-2.



CAUTION

Risk of data loss

Do not substitute other versions of these boards and cables in the configurations specified in this documentation, as this can result in data loss.

ATTENTION

The CallPilot server must be located within 10 m (30 ft) of the Media Gateway or Media Gateway Expansion.

MGate card cabling diagrams

Install the appropriate DS30X cable (NTRH2012 or NTRH2013) as shown in the supported configuration examples that follow.

The table below lists the supported configurations and the page number that illustrates the configuration:

Number of channels	Number of MPB16-4 boards	Number of MGate cards	See
32 or less	1	1	page 62
32 or less	2	1	page 63
48 or less	1	2	page 65
48 or less	2	2	page 66

Identifying the location of MPB #1 and MPB #2

In the cabling diagrams, the terms MPB16-4 #1 and MPB16-4 #2 are used to identify the two MPB16-4 boards. The table below indicates the location of these boards:

MPB #	Slot number in		
	702t server	1001rp server	1002rp server
MPB16-4 #1 ^a	slot 2	slot 12	slot 11
MPB16-4 #2	slot 3	slot 13	slot 12

a. For the 702t server, slots are numbered from the bottom of the server to the top. For the 1001rp and 1002rp servers, MPB16-4 #1 is the MPB16-4 board closest to the SBC card. For more information on slot assignments, refer to the slot assignment tables in Part 2 of the *CallPilot Installation and Configuration* binder.

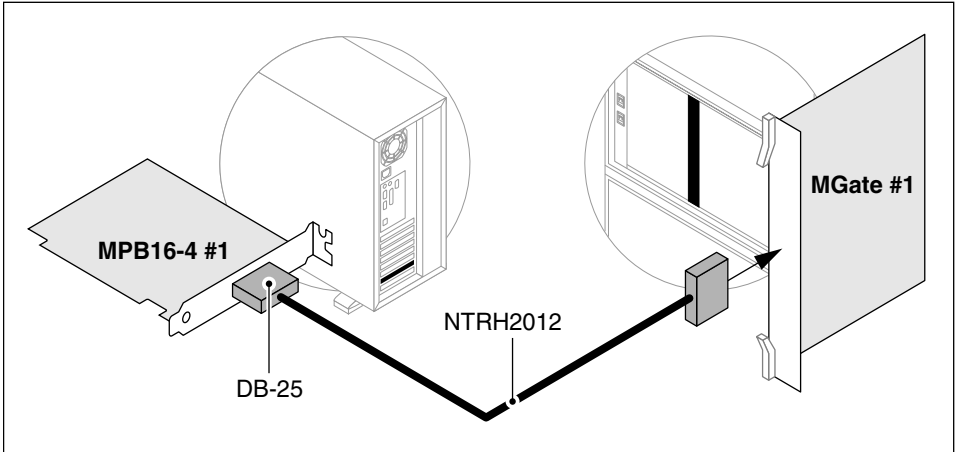
Identifying the location of MGate #1, #2, and #3

In the cabling diagrams, the terms MGate #1, MGate #2, and MGate #3 are used to identify the MGate cards. MGate #1 is in the lowest-numbered slot in the Media Gateway or Media Gateway Expansion. MGate #2 and MGate #3 are in the next available higher slots.

One MPB16-4 board and one MGate card (32 channels or less)

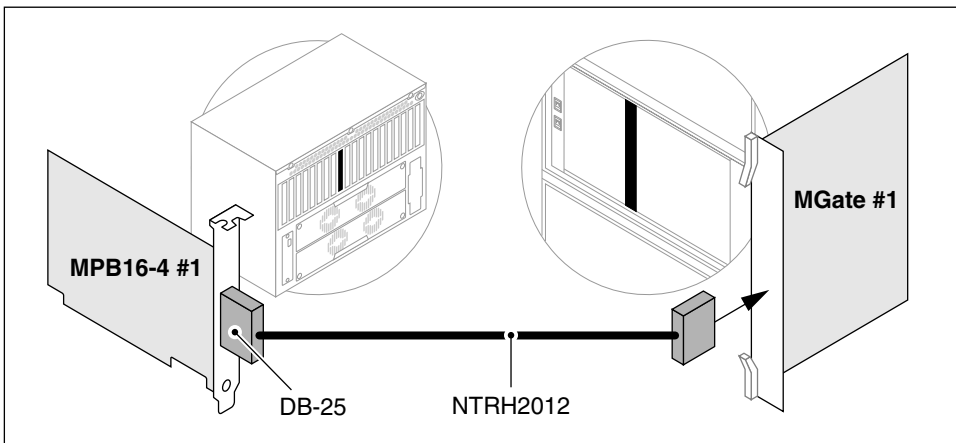
Use the single cable (NTRH2012) to connect the MPB16-4 board to the MGate card.

MGate cabling for the 702t server



G101724

MGate cabling for the 1001rp or 1002rp server



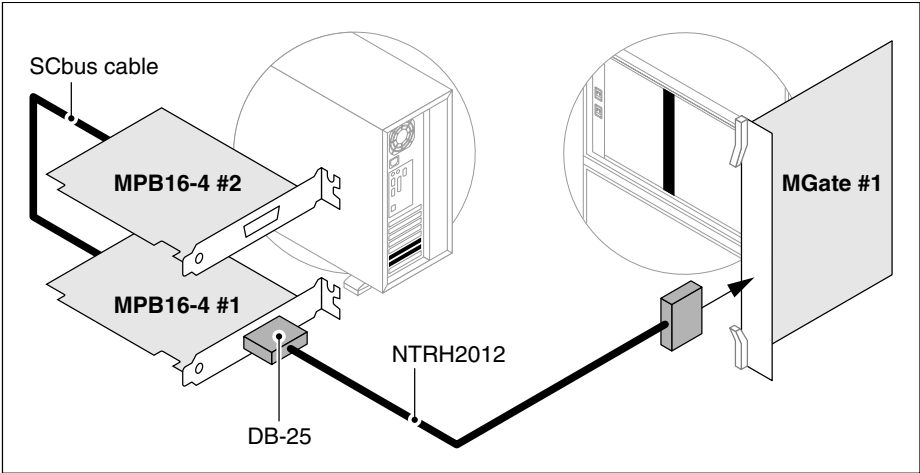
G101716

Two MPB16-4 boards and one MGate card (32 channels or less)

Use the DS30X single cable (NTRH2012) to connect the MPB16-4 #1 to the MGate card.

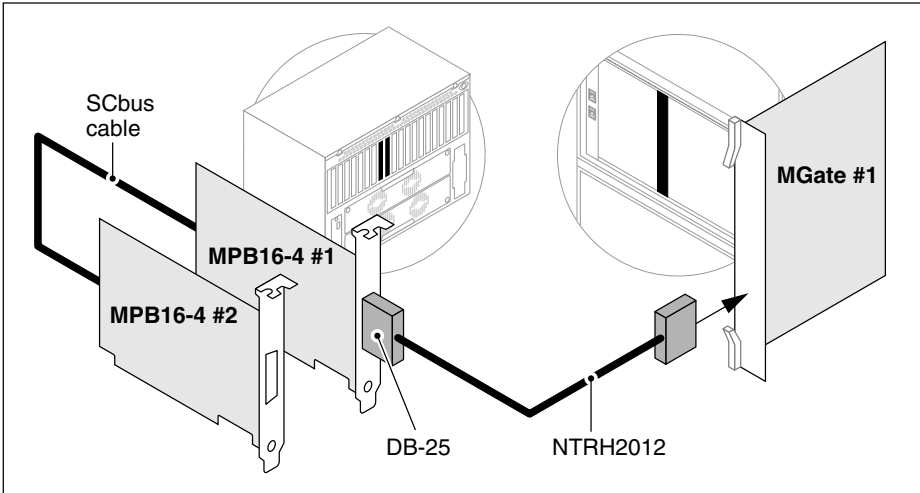
Note: The MPB number is determined by the bootup software. Therefore, the DS30X cable must be connected to the MPB assigned the lower bus number by the software.

MGate cabling for the 702t server



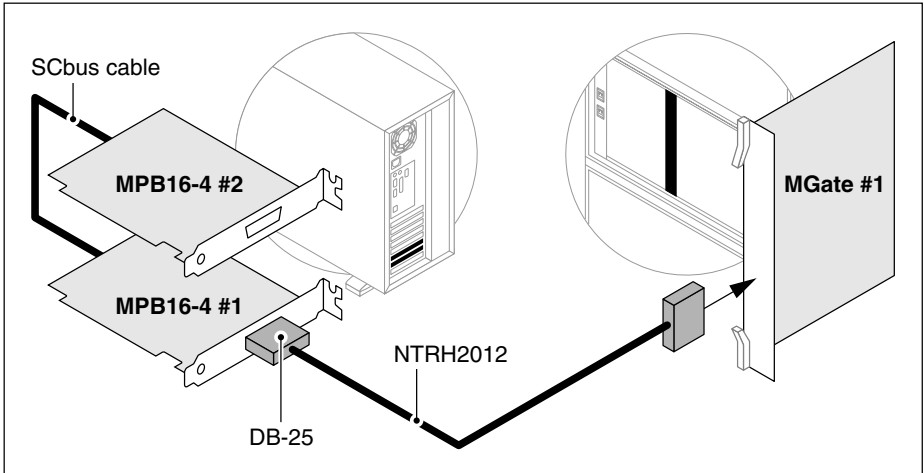
G101713

MGate cabling for the 1001rp or 1002rp server



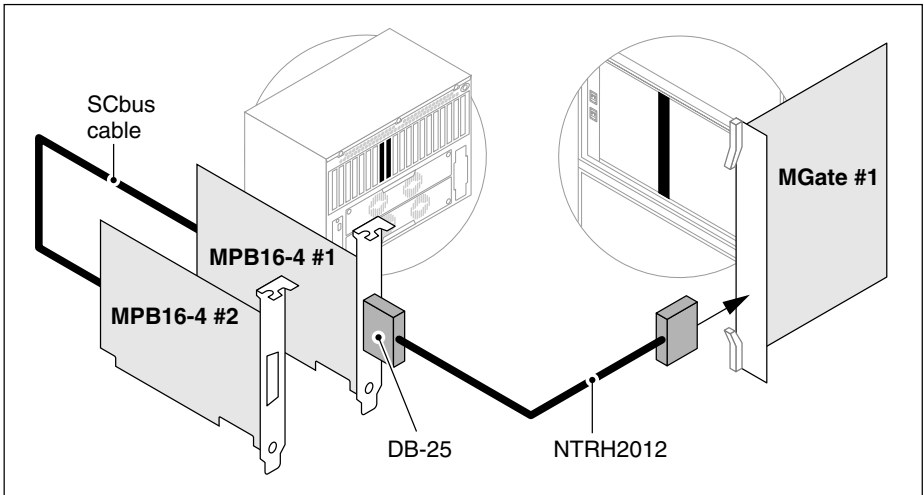
G101721

MGate cabling for the 702t server



G101713

MGate cabling for the 1001rp or 1002rp server



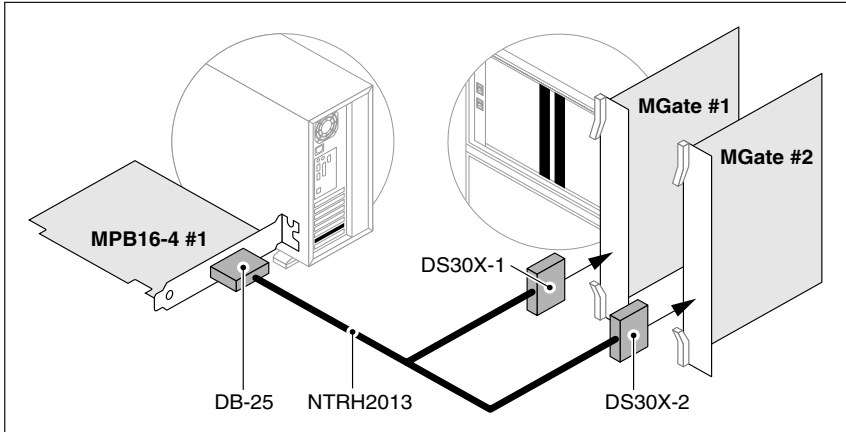
G101721

One MPB16-4 board and two MGate cards (48 channels or less)

Use the NTRH2013 cable, as shown below. Ensure that

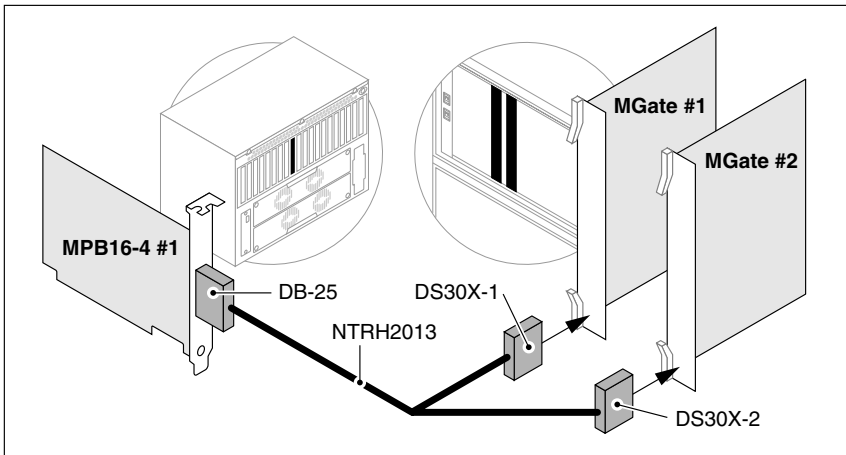
- the connector labeled DS30X-1 is connected to MGate #1
- the connector labeled DS30X-2 is connected to MGate #2

MGate cabling for the 702t server



G101725

MGate cabling for the 1001rp or 1002rp server



G101717

Two MPB16-4 boards and two MGate cards (48 channels or less)

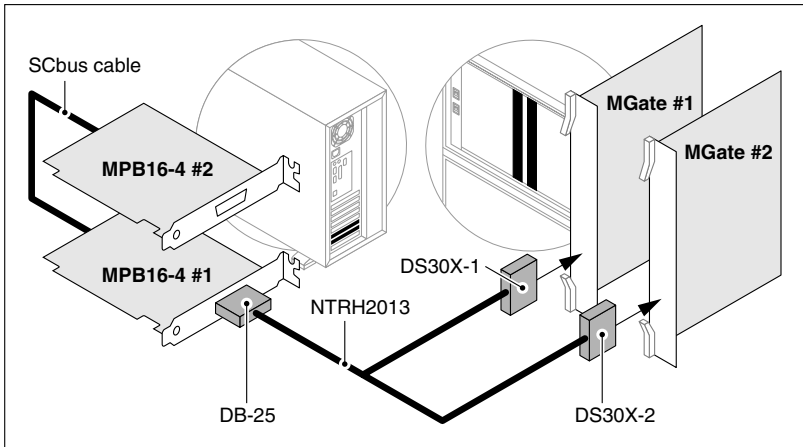
ATTENTION

Due to CPU limitations on the Succession CSE 1000, only 48 CallPilot multimedia channels can be supported.

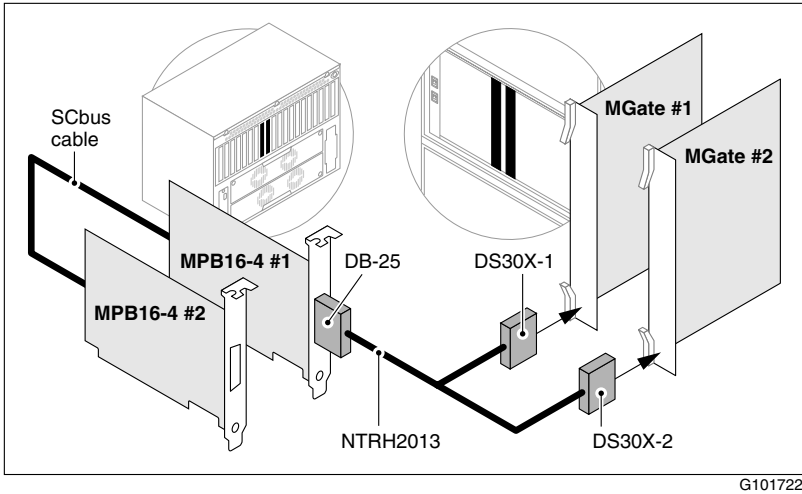
Use the NTRH2013 cable, as shown below. Ensure that

- the connector labeled DS30X-1 is connected to MGate #1
- the connector labeled DS30X-2 is connected to MGate #2

MGate cabling for the 702t server



MGate cabling for the 1001rp or 1002rp server



To connect the DS30X cables

Before you begin, review the supported cabling configurations illustrated in “MGate card cabling diagrams” on page 61.

- 1 On the rear of the Media Gateway or Media Gateway Expansion, locate the connector associated with the slot occupied by the MGate card.
- 2 Connect the MGate cable (NTRH2012 or NTRH2013) as follows:
 - a. Loosen the connector’s Velcro fastening strap.
 - b. Connect the amphenol connector on the MGate cable to the connector on the back of the Media Gateway or Media Gateway Expansion.

Chapter 3

Configuring the Succession CSE 1000 system

In this chapter

Succession CSE 1000 hardware and software requirements	70
Succession CSE 1000 configuration checklist	72
Provisioning the ELAN	77
Defining the Message Register for AML message tracing	80
Configuring Succession CSE 1000 IP addresses and enabling the Ethernet interface	81
Defining CallPilot in the customer data block	85
Configuring the ACD agent queue	91
Configuring ACD agents	93
Enabling the card slots	96
Defining the default ACD DN	97
Configuring CDN queues for messaging services	99
Configuring phantom DNs	101
Configuring dummy ACD DNs	105
Provisioning user phonesets	107
Configuring the route data block for Network Message Service	111
Saving Succession CSE 1000 changes	113

Succession CSE 1000 hardware and software requirements

Required hardware

To support connectivity to tower and rackmount CallPilot servers, one or more MGate cards must be installed in the Media Gateway or Media Gateway Expansion, as described in Chapter 2, “Connecting the CallPilot server to the Succession CSE 1000 system,” on page 45.

ATTENTION

An MGate card is not used with the 201i server.

Also, Succession CSE 1000 is not supported for the 200i server.

Required Succession CSE 1000 software

To support the CallPilot 201i server, the Succession CSE 1000 system requires software release X21 Release 1.0 or later.

To support the CallPilot 702t, 1001rp, or 1002rp servers, the Succession CSE 1000 system requires software release X21 Release 1.1 or later.

Required X21 PEPs

If X21 PEPs are required, this information is provided in the *General Release Bulletin*, available at <http://my.nortelnetworks.com>. You require a username and password to access this site.

X21 PEPs are available only on the Meridian PEP library (MPL) web site. North American customers can go to <http://www43.nortelnetworks.com/MPL>. All other customers should check the *General Release Bulletin* for the correct web site (the web site URL may vary by region). You require a username and password to access this site.

Succession CSE 1000 configuration checklist

The following checklist provides a list of the tasks you must complete for correct CallPilot and Succession CSE 1000 system interoperation. Detailed instructions are provided for each task, in the order shown below, in the remainder of this chapter.

Step		Overlay	See page	Check
1	Ensure that the ELAN for the AML link and its associated VSID in the configuration record is defined. This provides the Ethernet connection over which AML messages are exchanged between the Succession CSE 1000 system and CallPilot.	17	page 77	<input type="checkbox"/>
2	Define the Message Register for AML message tracing.	17	page 80	<input type="checkbox"/>
3	If the Succession CSE 1000 system has not been defined with an IP address, configure it for the ELAN interface.	117	page 81	<input type="checkbox"/>
4	Enable the ELAN link.	137	page 81	<input type="checkbox"/>
5	Enable the ELAN connection.	48	page 81	<input type="checkbox"/>

Step	Overlay	See page	Check
<p>6 Define CallPilot in the customer data block with the Call Park Allowed (CPA) and Message Center Included (MCI) options enabled.</p> <p>Also define in the customer data block how unanswered and busy calls are routed.</p>	15	page 85	<input type="checkbox"/>
<p>7 Define the Call Forward by Call Type feature.</p>	16	page 85	<input type="checkbox"/>
<p>8 Create an ACD agent queue to hold the agents that service CallPilot. If you are enabling the Symposium Voice Services Support feature, you must also set up two additional ACD agent queues: one for ACCESS ports, and one for IVR ports.</p>	23	page 91	<input type="checkbox"/>
<p>9 Create an agent for each CallPilot channel.</p> <p>All agents belong to the ACD agent queue(s) that you created in step 8.</p>	11	page 93	<input type="checkbox"/>
<p>10 Enable the slots in which the MGate card or 201i server is installed.</p>	32	page 96	<input type="checkbox"/>
<p>11 Define the default ACD DN that will be referenced in each CDN queue.</p> <p>Set this ACD DN as night call forward to the attendant.</p>	23	page 97	<input type="checkbox"/>

Step	Overlay	See page	Check
12 Create two CDN queues as follows: <ul style="list-style-type: none"> ■ Create a primary CDN for Voice Messaging. ■ Create a secondary CDN for Multimedia Messaging. 	23	page 99	<input type="checkbox"/>
13 If required, create a phantom loop.	97	page 101	<input type="checkbox"/>
14 Create a phantom DN or dummy ACD DN for each service that must be directly dialable.	10 or 23	page 101 or page 105	<input type="checkbox"/>
15 Provision user phonesets to support CallPilot.	11 or 10	page 107	<input type="checkbox"/>

Notes:

1. To determine which phonesets are supported by the Succession CSE 1000 system, refer to the *Succession Communication Server for Enterprise 1000 Planning and Installation Guide* (NTP 553-3023-210).
2. For instructions on provisioning i2004 phonesets, refer to *Succession Communication Server for Enterprise 1000 Input/Output X21 Administration* (NTP 553-3023-311).

Step		Overlay	See page	Check
16	If you purchased Network Message Service, configure the route data block.	16	page 111	<input type="checkbox"/>
17	Save the configuration changes.	43	page 113	<input type="checkbox"/>
18	If you made changes to the ELAN interface configuration in step 3 of this checklist, perform a Succession CSE 1000 INI after you have saved the configuration changes (as instructed in step 17 of this checklist).	n/a	n/a	<input type="checkbox"/>

Note: You can also print configuration information from overlay 20 at any time.

How the overlays are presented in this chapter

Overlays are programmed by responding to a series of prompts. The procedures in this section mention only those prompts that require a specific entry for CallPilot.

You can program other prompts if necessary for your site. To accept the default value for other prompts, press Enter.

ATTENTION

Ensure that you update the Succession CSE 1000 database when you finish making changes, as described in “Saving Succession CSE 1000 changes” on page 113.

Working with overlays

When you work with overlays, follow these general steps:

1. Load the appropriate overlay.
2. Respond to the prompts as shown in the tables in this section. Press Enter after each prompt until you reach the next one that you must define for CallPilot.
3. When you complete the configuration, enter **** in response to the REQ prompt.

The customer number

CallPilot can only be provided on a per customer basis on the Succession CSE 1000 system. AML messages used for communications between the Succession CSE 1000 system and CallPilot contain a customer number to which CallPilot belongs.

ATTENTION

When you enter the customer number in the overlays, ensure that it is the correct customer number.

Provisioning the ELAN

Introduction

Define and configure the ELAN for the AML link and its associated VSID in the configuration record. This provides the Ethernet connection over which AML messages are exchanged between the Succession CSE 1000 system and CallPilot.

To provision the ELAN

Load overlay 17. For each prompt listed below, enter the response indicated. For those prompts that are not listed, you can accept the default by pressing Enter.

Prompt	Response	Description
REQ	CHG	Change
TYPE	ADAN	Action device and number
ADAN	NEW ELAN xx	Configure a new link and assign it a number, where xx is within the ELAN range (16 – 31). You can use any number in this range as long as it is not already used.
CTYP	ELAN	Card type
DES	x...x	Enter a designator to identify this ELAN.
REQ	CHG	Change
TYPE	VAS	Value added server configuration
VAS	new	Configure a new AML link or change the existing link configuration.

Prompt	Response	Description
VSID	yy	The VAS identifier can be in the range of 16 – 31. For convenience, this can be the same number you assigned to the new ELAN link (in response to the ADAN prompt).
ELAN	xx	This should be the same number defined in ADAN.
SECU	x...x	If you are enabling the SymposiumVoice Services Support feature, set to YES. Otherwise, set to NO.
REQ	CHG	Change
TYPE	PARM	System parameters
NCR	x...x	Number of call registers (range depends on system type). Increment the current value by 2 x the number of CallPilot DS0 channels. For example, if the current NCR value is 500 and there are 24 DS0 channels, change the NCR value to 548.
CSQI	(20) to 255	Maximum number of call registers for CSL input queues. Set this parameter to 2 x the number of CallPilot DS0 channels. For example, if there are 24 DS0 channels, enter 48.
CSQO	(20) to 255	Maximum number of call registers for CSL/AML output queues. Set this parameter to 2 x the number of CallPilot DS0 channels. For example, if there are 24 DS0 channels, enter 48.

Prompt	Response	Description
	<Enter>	Press Enter until you reach the end of the overlay (REQ prompt).
REQ	****	Exits the overlay.

Defining the Message Register for AML message tracing

Introduction

This section provides instructions for updating the Message Register (MGCR) parameter.

The MGCR parameter affects the AML output when message tracing is turned on for the ELAN.

ATTENTION

The MGCR parameter is used by your Nortel Networks customer support representative to troubleshoot your CallPilot Succession CSE 1000. This parameter is not required for normal day-to-day CallPilot operation.

To define the MGCR parameter

Load overlay 17. For each prompt listed below, enter the response indicated. For those prompts that are not listed, you can accept the default by pressing Enter.

Prompt	Response	Description
REQ	CHG	Change
TYPE	PARM	System parameters
MGCR	0 to NCR	Maximum number of call registers used by AUX messaging. The recommended value for CallPilot is 25.
REQ	****	Exits the overlay.

Configuring Succession CSE 1000 IP addresses and enabling the Ethernet interface

Introduction

If the Succession CSE 1000 system has not been defined with the necessary IP address information (see below), configure the IP addresses for the Ethernet interface. You must also enable the Ethernet interface, as described in this section.

Notes:

- The Succession CSE 1000 system has a single CPU and, therefore, only one Ethernet interface and a primary IP address.
- If the Succession CSE 1000 system is also connected to a CLAN, a gateway IP address must be defined.

ATTENTION

To change an IP address *after* CallPilot is installed and running, you must do the following:

- 1 Courtesy stop and shut down CallPilot.
- 2 Change the IP addresses on the switch, as described in this section.
- 3 Restart CallPilot.
- 4 Rerun the CallPilot Configuration Wizard to update the switch IP address information.

To configure the IP addresses and enable the Ethernet interface

The following data is used in examples in this procedure:

Data	Value (examples only)
Primary IP address	47.1.1.10
Primary Host Name	PRIMARY_HOST
Subnet mask	255.255.255.0
Default gateway IP address	47.1.1.1
Network IP address	0.0.0.0

- 1 Load overlay 117.
- 2 Perform the following substeps to check the current IP addresses to see if they already match what you have planned to configure for CallPilot.

If the current values displayed by the following commands must be updated, then continue with the remaining steps in this procedure. Otherwise, go to step 15.

 - a. Type **PRT HOST** and press Enter.
 - b. Type **STAT HOST** and press Enter.
 - c. Type **PRT MASK** and press Enter.
 - d. Type **PRT ELNK** and press Enter.
- 3 Load overlay 137.
- 4 Type **DIS ELNK** and press Enter.
- 5 Type **STAT ELNK** and press Enter.
- 6 Confirm that the system displays ELNK DISABLED.
- 7 Load overlay 117.
- 8 Create a host entry for the primary IP address by entering the following command:

NEW HOST *NAME xxx.xxx.xxx.xxx* (where *NAME* is the host name for the primary IP address, and *xxx.xxx.xxx.xxx* is the primary IP address)

Example:

NEW HOST PRIMARY_HOST 47.1.1.10

- 9 If the Succession CSE 1000 system is connected to a CLAN, create a host entry for the gateway IP address by entering the following command:

NEW HOST *NAME xxx.xxx.xxx.xxx* (where *NAME* is the host name for the gateway IP address, and *xxx.xxx.xxx.xxx* is the gateway IP address)

Example:

NEW HOST GATEWAY 47.1.1.1

- 10 Assign a host to the primary IP address by entering the following command:

CHG ELNK ACTIVE *NAME* (where *NAME* is the host name for the primary IP address)

Example:

CHG ELNK ACTIVE PRIMARY_HOST (entry for primary host)

- 11 Set up the Ethernet subnet mask by entering the following command:

CHG MASK *xxx.xxx.xxx.xxx* (where *xxx.xxx.xxx.xxx* is the subnet mask)

Example:

CHG MASK 255.255.255.0

- 12 If using a gateway, set up the routing entry by entering the following command:

NEW ROUTE *xxx.xxx.xxx.xxx yyy.yyy.yyy.yyy* (where *xxx.xxx.xxx.xxx* is the network IP address and *yyy.yyy.yyy.yyy* is the gateway IP address; put one space between the network IP address and the gateway IP address)

Example:

NEW ROUTE 0.0.0.0 47.1.1.1

13 Update the INET database by entering the following command:

UPDATE DBS

14 Type **** and press Enter to exit the overlay.

15 Load overlay 137.

16 Type **STAT ELNK** and press Enter.

17 If the system displays ELNK ENABLED, then go to step 18.

If the system displays ELNK DISABLED, then do the following substeps:

a. Type **ENL ELNK** and press Enter.

b. Type **STAT ELNK** and press Enter.

c. Confirm that the system displays ELNK ENABLED. Then go to step 18.

18 Load overlay 48.

19 Type **STAT ELAN** and press Enter.

20 If the system displays ELAN ENABLED, then go to step 21.

If the system displays ELAN DISABLED, then do the following substeps:

a. Type **ENL ELAN** and press Enter.

b. Type **STAT ELAN** and press Enter.

c. Confirm that the system displays ELAN ENABLED. Then go to step 21.

21 Load overlay 117.

22 Verify the changes as follows:

a. Type **PRT HOST** and press Enter.

b. Type **STAT HOST** and press Enter.

c. Type **PRT MASK** and press Enter.

Defining CallPilot in the customer data block

Introduction

You must define the CallPilot service in the customer data block, with the Call Park Allowed (CPA) and Message Center Included (MCI) options enabled.

During this configuration, you also define how unanswered and busy calls are routed:

- Flexible Call Forward (FNAD/FNAN/FNAL) is set on a per customer basis. Define the call forward DN in the user's phoneset data.
- Call Forward No Answer/Busy (MDID/NDID/MWFB) is set on a per customer basis. All no answer and busy calls are routed to the flexible call forward DN, provided that the called phoneset has the Message Waiting Allowed (MWA) class of service enabled.

Normally, non-Direct Inward Dialing (DID) calls are routed to CallPilot when a no answer or busy condition is encountered. As an option, you can route DID calls to the attendant's or user's Hunt DN.

To modify the customer data block

Load overlay 15. For each prompt listed below, enter the response indicated. For those prompts that are not listed, you can accept the default by pressing Enter.

Prompt	Response	Description
REQ	CHG	Change
TYPE	FTR	Customer features and options

Prompt	Response	Description
CUST	xx	Customer number (0–99)
OPT	CPA MCI	Call Park Allowed and Message Center Included are enabled for the customer.
IDEF	YES or NO	Internal/External Definition Set to YES if Call Forward by Call Type feature (CFCT) is enabled on the Succession CSE 1000 system.

Load overlay 15 again. For each prompt listed below, enter the response indicated:

REQ	CHG	Change
TYPE	ATT	Attendant consoles
CUST	xx	Customer number (0–99)
ATDN	(0) yyyy	Attendant DN
MATT	NO (YES)	Set to YES if Network Message Service (NMS) has not been purchased. If NMS has been purchased, set the primary Succession CSE 1000 system to YES and all secondary systems to NO.
AQTT	1–255 (30)	Attendant Queue Timing Threshold in seconds

Prompt	Response	Description
AODN	CallPilot CDN	Attendant Overflow DN. Set this prompt to a CallPilot CDN to launch a CallPilot service when the attendant overflows. The SDN Table in CallPilot must have the desired AODN service defined for DN 0. Note: The Succession CSE 1000 system issues an SCH1872 error, but accepts the DN. This error is a warning that the DN must be a CallPilot CDN.
<p>Load overlay 15 again. For each prompt listed below, enter the response indicated:</p>		
REQ	CHG	Change
TYPE	RDR	Call Redirection
CUST	xx	Customer number (0–99)
FNAD	FDN	Call forward no answer DID calls are routed to flexible CFNA DN.
FNAN	FDN	Call forward no answer non-DID calls are routed to flexible CFNA DN.
FNAL	FDN	Call forward no answer local calls (with CFCT enabled) are routed to flexible CFNA DN.
CFNA, CFN0, CFN1, CFN2	4	The number of ring cycles before the call is forwarded. The prompts CFN0, CFN1, and CFN2 may appear instead of CFNA, depending on the release installed on the Succession CSE 1000 system. Refer to your Succession CSE 1000 X21 documentation for details.

Prompt	Response	Description
Load overlay 15 again. For each prompt listed below, enter the response indicated:		
REQ	CHG	Change
TYPE	FTR	Customer features and options
CUST	xx	Customer number (0–99)
EEST	(NO) YES	The originating party does not receive DTMF feedback. Set remote Succession CSE 1000 sites to NO.
Load overlay 15 again. For each prompt listed below, enter the response indicated:		
REQ	CHG	Change
TYPE	NET	Networking
CUST	xx	Customer number (0–99)
ISDN	(NO) YES	Set to YES only if NMS has been purchased. Otherwise, set to NO.
PNI		NMS only. The Private Network Identifier. Within one network, use the same PNI value in overlays 15 and 16. When you interwork with different networks, enter the PNI of this Succession CSE 1000 system in overlay 15, and the PNI of the remote Succession CSE 1000 system in overlay 16.
HLOC		NMS only. Home Location Code (ESN) of the Succession CSE 1000 system. This can be in the range 100–999.

Prompt	Response	Description
LSC		NMS only. Local Steering Code (established in the Coordinated Dialing Plan, or CDP) of the Succession CSE 1000 system. This prompt only appears for 5- or 6-digit dialing plans.
	<Enter>	Press Enter until you reach the end of the overlay (REQ prompt).
REQ	****	Exits the overlay.

Additional steps to support the Call Forward by Call Type feature

The Call Forward by Call Type (CFCT) feature is installed as part of the base X21 software.

Load overlay 16. For each prompt listed below, enter the response indicated. For those prompts that are not listed, you can accept the default by pressing Enter.

Note: IDEF must be set to YES in overlay 15 to support CFCT and for the IDEF prompt to appear in overlay 16 (see “To modify the customer data block” on page 85).

Prompt	Response	Description
REQ	NEW or CHG	
TYPE	RDB	Route data block
CUST	xx	Customer number (0–99)
ROUTE		Route number
RCLS	EXT	Route class is marked as external.

Prompt	Response	Description
IDEF	LOC	Use local data to define a call as internal or external.
	<Enter>	Press Enter until you reach the end of the overlay (REQ prompt).
REQ	****	Exits the overlay.

Configuring the ACD agent queue

Introduction

You must set up only one ACD agent queue to service CallPilot, unless you are enabling the Symposium Voice Services Support feature (see “Symposium Voice Services Support additional requirements” below). This queue holds all the agents that correspond to DS0 channels on the CallPilot server.

Note: The ACD DN is not normally used as a Service DN. However, in applications where calls are to be overflowed into CallPilot, you must define the ACD DN as a Service DN.

Symposium Voice Services Support additional requirements

If you are enabling the Symposium Voice Services Support feature, you must set up two additional ACD agent queues: one for ACCESS ports, and one for IVR ports. A segment of the CallPilot ports must be dedicated to the Symposium Voice Services Support feature.

To configure an ACD agent queue

Load overlay 23. For each prompt listed below, enter the response indicated. For those prompts that are not listed, you can accept the default by pressing Enter.

Prompt	Response	Description
REQ	NEW	Add new data.
TYPE	ACD	Indicates this is an ACD queue.
CUST	xx	Customer number (0–99)

Prompt	Response	Description
ACDN	yyyy	This is the ACD DN for CallPilot.
MWC	NO Note: For a 201i server, set one ACD queue to YES (does not have to be a CallPilot ACD queue).	Message Waiting Center. Set to NO. (Set to YES for 201i server).
MAXP	zzzz	Maximum number of agents. MAXP must be equal to or greater than the total number of multimedia channels installed on your system.
IVR	YES	Interactive Voice Response queue
ALOG	YES	Provide automatic logon for ACD agents.
	<Enter>	Press Enter until you reach the REQ prompt.
REQ	****	Exits the overlay.

Configuring ACD agents

Introduction

For CallPilot, you must define channels as ACD agents on M2008 digital sets. All agents are added to the ACD queue(s) that you have configured.

Each agent must have the VCE, WTA, UNR, and MMA class of service. To get the VCE class of service on the upper 16 units (15 to 31), you must first specify the FLXA class of service. Each agent must be provisioned with the following feature keys: ACD, SCN, NRD, MSB, TRN, and AO3.

Note: You can define a more restrictive class of service for the agents (for example, Conditionally Toll Denied [CTD]). Call restrictions in effect for the class of service take precedence over the dialing restriction/permission provided by CallPilot.

Terminal numbers

A Terminal number (TN) is required for each agent.

Integrated server (201i server)

For the 201i server, ACD agents use TNs associated with the slot location of the 201i server.

Tower or rackmount servers

For the tower and rack versions of the CallPilot server, ACD agents use TNs associated with the slot location of the MGate card.

Position IDs

You also need a Position ID for each agent. The server uses the position ID to inform the Succession CSE 1000 system to which agent an incoming call should be routed.

For ease of maintenance, assign sequential numbers to the IDs that are not already in use.

To configure agents

Load overlay 11. For each prompt listed below, enter the response indicated. For those prompts that are not listed, you can accept the default by pressing Enter.

Prompt	Response	Description
REQ	NEW	
TYPE	2008	ARIES digital set with 8 programmable keys.
TN	c u	Terminal number of the MGate card (tower and rack server), or the 201i server, where c is the card, and u is the unit.
CUST	xx	Customer number (0–99)
CLS	VCE WTA UNR MMA (units 0–15) FLXA VCE WTA UNR MMA (units 16–31)	Voice terminal, Warning tone allowed, Unrestricted, Multimedia Agent, Flexible voice/data allowed.
key	0 acd xxxx 0 yyyy	where xxxx is the ACD DN of the CallPilot agent queue, and yyyy is the Position ID of the agent.
key	1 scn zzzz	where zzzz is the single-call non-ringing DN used to make outbound calls.
key	2 msb	Make Set Busy
key	3 nrd	Not Ready

Prompt	Response	Description
key	4 trn	Transfer
key	5 ao3	Three-Party Conference
AST	0 1	If you are enabling the Symposium Voice Services Support feature, you must define 0 and 1 as the AST key 0 and key 1 values. If you are not enabling the Symposium Voice Services Support feature, then press Enter to skip this prompt.
	<Enter>	Press Enter to the end of the overlay (the REQ prompt).
REQ		If you are finished adding agents, enter **** to exit the overlay. To add another agent, return to the top of the table.

Enabling the card slots

Introduction

After you have configured the ACD agents, use overlay 32 to ensure that the card slots used by an MGate card or 201i server are enabled.

Note: The 201i server occupies two slots. Both slots must be enabled to use all ports supported by the 201i server.

To enable the card slots

Note: This procedure uses the syntax **STAT n** and **ENLC n**.

- 1 Load overlay 32.
- 2 Type **STAT n** and press Enter, where *n* is the card slot used by an MGate card or 201i server.

Result: The status of the ACD agents defined for this slot appears. If the ACD agents are disabled, then enable the card slot.

- 3 Type **ENLC n** and press Enter, where *n* is the card slot used by an MGate card or 201i server.
- 4 To verify that the card slot and the ACD agents are enabled, type **STAT n** and press Enter, where *n* is the card slot used by an MGate card or 201i server.

Result: The status of the ACD agents defined for this slot appears.

- 5 Repeat this procedure for all other card slots used by an MGate card or 201i server.

Defining the default ACD DN

Introduction

Before you configure the CDN queue, define the default ACD DN that needs to be referenced in the CDN. During normal operation, the CDN is in control mode, and callers are queued to be routed and then answered by CallPilot services. Under error conditions (for example, if the AML link is down), the CDN operates in default mode and calls are routed to the default ACD DN defined for the CDN. This section describes how to set up the default ACD DN so that these calls are handled by the attendant.

For the attendant to process incoming calls to CallPilot when the CDN is in default mode, define a dummy ACD DN and set it to night call forward to the attendant.

Note: This section describes one possible setup for the default ACD DN. The default ACD DN can be defined as an ACD queue with live agents, a Meridian Mail ACD-DN, or a dummy ACD-DN that is night call forwarded to a phone set.

To create a default ACD DN

Load overlay 23. For each prompt listed below, enter the response indicated. For those prompts that are not listed, you can accept the default by pressing Enter.

Prompt	Response	Description
REQ	NEW	
TYPE	ACD	
CUST	0	Customer number (0–99)

Prompt	Response	Description
ACDN	xxxx	The ACD DN. Enter this DN as the DFDN in the CDN configuration.
MWC	NO	Message Waiting Center. Set to NO.
MAXP	1	This indicates that there are no agents in this queue and it is, therefore, a dummy queue.
NCFW	0	Night call forward to the attendant.
	<Enter>	Press Enter to the end of the overlay (the REQ prompt).
REQ	****	Exits the overlay.

Configuring CDN queues for messaging services

Introduction

Configure the following CDN queues:

- Configure a primary CDN for Voice Messaging. This becomes the main CDN queue.
- Configure a secondary CDN for Multimedia Messaging, if you want to provide users with fax capability.

Note: Nortel Networks strongly recommends that you use either a phantom DN or a dummy ACD DN for all other messaging services.

To configure a CDN queue

Load overlay 23. For each prompt listed below, enter the response indicated. For those prompts that are not listed, you can accept the default by pressing Enter.

Prompt	Response	Description
REQ	NEW	
TYPE	CDN	Control DN queue
CUST	xx	Customer number (0–99)
CDN	yyyy	The Control DN of the queue. This number must be entered as the SDN for the messaging service in the SDN Table.

Prompt	Response	Description
DFDN	<i>zzzz</i>	The default ACD DN (see page 97). Calls to the CDN are directed to this ACD DN if the link or CallPilot goes down. Nortel Networks recommends that this is not defined as the ACD DN of the CallPilot ACD queue.
VSID	<Enter>	Press Enter so that the ID is dynamically assigned to the CDN when the ELAN link is established.
	<Enter>	Press Enter to the end of the overlay (the REQ prompt).
REQ		To configure another CDN, return to the top of the table. To exit, enter ****.

Configuring phantom DNs

Introduction

There are two reasons for configuring phantom DNs on the switch:

- to create dialable numbers for CallPilot services
- to create virtual fax DNs for users who want a separate fax number

ATTENTION

Another option is to configure dummy ACD DNs instead of phantom DNs. See “Configuring dummy ACD DNs” on page 105.

Supporting multiple languages

For Fax Item Maintenance, Voice Item Maintenance, Speech Activated Messaging, and Paced Speech Messaging, multiple language support might have been purchased.

This means that, for example, you can create an English and a Spanish version of Voice Item Maintenance if you have these languages installed. To support this, you need to create a phantom DN for each supported language. Therefore, in this case, you need two phantom DNs (one for English Voice Item Maintenance and one for Spanish Voice Item Maintenance). This also means that callers must dial a different number to access the service, based on the language they prefer.

Virtual fax DNs for users with fax capabilities

Users who have fax capabilities can have one DN that serves as both their regular extension number and their fax number. In this case, you set up a phone for the user as described in “Provisioning user phonesets” on page 107. The user’s phone must be forwarded to the Multimedia Messaging CDN.

However, some users may need two separate DN— one DN that serves as their regular telephone number, and a second DN that serves as their fax number. For these users, you cannot simply define the virtual fax DN as another DN on the user’s phoneset. Instead, you must set up a TN as the virtual fax DN. Since physical TNs are more costly, Nortel Networks recommends that you configure phantom DNs instead.

A separate TN is necessary because a single TN (the telephone) can only be call forwarded to one DN (regardless of how many DNs appear on that phone). For these users, you must ensure that their telephone number (the mailbox DN) forwards to the Voice Messaging CDN, whereas their fax number (the virtual fax DN) forwards to the Multimedia Messaging CDN.

Note: When you add the user to CallPilot (as a mailbox owner), you must define this virtual fax DN as one of the user’s extension DNs.

To check for existing phantom loops

A phantom loop must exist before you begin to configure phantom DNs. Use overlay 22 to print the configuration record to see if any phantom loops are already configured. A phantom loop is shown with the prefix “P”, illustrated in this example:

Note: You can use superloops as phantom loops.

```
.
CEQU
  MPED 8D
  SUPL 000 004 008 012
    016 032 036 040
    048 P064 P068 (phantom loops 64 and 68)
DDCS
.
.
```

If no phantom loops are configured, then continue with “To configure a phantom superloop” on page 103. If a phantom loop is configured, then go to “To configure a phantom DN” on page 103.

To configure a phantom superloop

If no phantom loops are configured, use load overlay 97. For each prompt listed below, enter the response indicated. For those prompts that are not listed, you can accept the default by pressing Enter.

Prompt	Response	Description
REQ	CHG	
TYPE	SUPL	Superloop
SUPL	Nxxx	Prefix the loop number with N to create a phantom loop. The loop number range is 96–112 in multiples of 4 (corresponds to slots 61–80).
	<Enter>	Press Enter to the end of the overlay (the REQ prompt).
REQ	****	Exits the overlay.

To configure a phantom DN

Load overlay 10. For each prompt listed below, enter the response indicated. For those prompts that are not listed, you can accept the default by pressing Enter.

Prompt	Response	Description
REQ	NEW	
TYPE	500	PBX set type

Prompt	Response	Description
TN	c u	Terminal number, where c is the card, and u is the unit. PHANTOM is echoed by the switch when the specified loop is phantom.
CDEN	xx	The card density supported by the loop, where xx can be SS - single density DD - double density 4D - quadruple density
DN	yyyy	The DN must be single appearance.
CLS	UNR	Unrestricted. Phantom DNs cannot originate calls, so this option is secure.
FTR	DCFw nn xxxx	DCFw = Default Call Forward nn = maximum number of digits in the DCFw DN xxxx = the CDN to which this DN forwards If this phantom DN is for a voice service, enter the Voice Messaging CDN. If this phantom DN is for a fax service, enter the Multimedia Messaging CDN. If this phantom DN is a virtual fax DN for a user, enter the Multimedia Messaging CDN.
	<Enter>	Press Enter until you reach the end of the overlay (REQ prompt).
REQ		If you are finished adding phantom DNs, enter **** to exit. To add another DN, return to the top of the table.

Configuring dummy ACD DN

Introduction

As an alternative to creating phantom DNs for directly dialable services, you can create a dummy ACD DN that is set up to call forward to the appropriate CDN depending on the multimedia channel type required.

Example

- For a service that requires only voice capability, forward the dummy ACD DN to the Voice Messaging CDN.
- For a service that requires fax capability, forward the dummy ACD DN to the Multimedia Messaging CDN.

To configure dummy ACD DNs

Load overlay 23. For each prompt listed below, enter the response indicated. For those prompts that are not listed, you can accept the default by pressing Enter.

Prompt	Response	Description
REQ	NEW	
TYPE	ACD	
CUST	xx	Customer number (0–99)
ACDN	xxxx	Enter the DN for the service.
MWC	YES or NO	Message Waiting Center. If the CallPilot server is a Network Message Service (NMS) satellite site, set to YES. Otherwise, set to NO.
MAXP	1	This indicates that there are no agents in this queue and it is, therefore, a dummy queue.

Prompt	Response	Description
NCFW	yyyy	Specify the appropriate CDN depending on multimedia channel type required (Voice Messaging CDN or Multimedia Messaging CDN).
	<Enter>	Press Enter to the end of the overlay (the REQ prompt).
REQ	****	Exits the overlay.

Provisioning user phonesets

Introduction

You must set up users' phonesets in a certain way to support CallPilot. The procedure depends on whether you are provisioning a digital phoneset or a 500 phoneset.

Required features

You must set up phonesets to support the following features:

- Call forward no answer to the appropriate CDN (voice or multimedia)
Note: You cannot forward users' phonesets to the Speech Activated Messaging CDN since this service does not provide call answering functionality.
- Call forward busy to the appropriate CDN
- Call forward all calls to the appropriate CDN
- Message Waiting key with the appropriate CDN as the Message Center DN

Note: If you do not plan to give fax capability to the user's mailbox, use the Voice Messaging CDN. If you plan to give fax capability to the user's mailbox, then use the Multimedia Messaging CDN.

To provision digital phonesets

Load overlay 11. For each prompt listed below, enter the response indicated in overlay 11. For those prompts that are not listed, you can accept the default by pressing Enter.

Prompt	Response	Description
REQ	NEW or CHG	
TYPE	2317, 2008, and so on	Type of set.
TN	c u	Terminal number of the phone, where c is the card, and u is the unit.
CUST	xx	Customer number (0–99)
FDN	yyyy	Flexible call forward no answer DN. Set this to the CDN of the Voice Messaging or Multimedia Messaging CDN queue.
HUNT	zzzz	Hunt (internal). Set this to the CDN of the Voice Messaging or Multimedia Messaging CDN queue.
CLS	FNA, FBA, HTA, MWA	Call forward no answer allowed. Call forward busy allowed. Hunt allowed. Message waiting allowed.
KEY	0 SCR xxxx	Single call ringing DN, where xxxx is the user's DN.
CPND	New	Calling Party Name Display (if adding a new set).
NAME	First,Last	The name of the phoneset user.
KEY	3 MSB	Make set busy

Prompt	Response	Description
KEY	4 TRN	Transfer
KEY	5 AO3	Three-party conference. Required by the Call Sender feature.
KEY	6 CFW nn xxxx	Call forward all calls, where nn = maximum number of digits in the Call Forward DN, and xxxx is the Voice Messaging or Multimedia Messaging CDN.
KEY	8 MWK yyyy	Add a message waiting key/lamp, where yyyy is the Voice Messaging or Multimedia Messaging CDN.
	<Enter>	Press Enter to the end of the overlay (the REQ prompt).
REQ		If you are finished adding phonesets, enter **** to exit. To add another phoneset, return to the top of the table.

To provision 500/2500 phonesets

Load overlay 10. For each prompt listed below, enter the response indicated in overlay 10. For those prompts that are not listed, you can accept the default by pressing Enter.

Prompt	Response	Description
REQ	NEW	
TYPE	500	500 phoneset
TN	c u	Terminal number of the phone, where c is the card, and u is the unit.

Prompt	Response	Description
CUST	xx	Customer number (0–99)
DN	yyyy	Directory number
HUNT	zzzz	Hunt (internal). Set this to the CDN of the Voice Messaging or Multimedia Messaging CDN queue.
CLS	HTA, MWA, FNA, FBA, XFA, LPA, DTN	Hunt allowed. Message waiting allowed. Call forward no answer allowed. Call forward busy allowed. MWI lamp is equipped (if not equipped, users are notified of new messages by interrupted dial tone).
FTR	FDN xxxx	Flexible call forward no answer. Set this to the Voice Messaging or Multimedia Messaging CDN.
FTR	CFW yy	Call forward all calls, where yy is the maximum DN length that users can specify as the call forward DN.
	<Enter>	Press Enter to the end of the overlay (the REQ prompt).
REQ		If you are finished adding phonesets, enter **** to exit. To add another phoneset, return to the top of the table.

Configuring the route data block for Network Message Service

Introduction

If you have purchased Network Message Service (NMS) to allow a number of switches to share CallPilot (installed on only one switch), then configure the route data block. Instructions for this step are provided in this section.

For details on additional switch configuration for NMS, refer to the “Configuring the switches” chapter in the *CallPilot 1.0 NMS Implementation and Administration Guide* (NTP 555-7101-302).

Note: Make sure that Digit Manipulation (DMI in overlay 86) is not used to insert ESN access codes at the sending switch. ESN access code insertion must be done at the receiving switch (INAC in overlay 16).

To modify the route data block

Load overlay 16. For each prompt listed below, enter the response indicated. For those prompts that are not listed, you can accept the default by pressing Enter.

Prompt	Response	Description
REQ	NEW or CHG	
TYPE	RDB	Route data block
CUST	xx	Customer number (0–99)
ROUTE		Route number
PNI		Customer Private Network ID of the non-local target Succession CSE 1000 system

Prompt	Response	Description
NCRD	Yes	Network call redirection provides the CLID display information.
TRO	Yes	Optimize trunk usage on this route.
INAC	Yes	Insert an ESN access code to incoming private network calls.
	<Enter>	Press Enter until you reach the end of the overlay (REQ prompt).
REQ	****	Exits the overlay.

Saving Succession CSE 1000 changes

Introduction

Once you modify the switch configuration to support CallPilot, save all changes to disk.

To save your configuration

- 1 Load overlay 43.
- 2 At the next “.” prompt, type **EDD** to dump the data to disk.

Result: The system displays the data being saved. The following message appears:

```
RECORD COUNT=xxxxx
DATADUMP COMPLETE
```

- 3 Return to step 2, and repeat this step two more times. Use a new disk each time.

ATTENTION

Do not remove the disk while the LED is lit. As long as the LED is on, the disk is still being written to.

What's next?

Continue with Chapter 4, “Configuring the CallPilot server software,” on page 115.

Chapter 4

Configuring the CallPilot server software

In this chapter

Overview	116
Logging on to Windows NT on the CallPilot server	118
Logging on to the CallPilot server with CallPilot Manager	120
Running the Configuration Wizard	125
Changing pcAnywhere caller passwords	127

Overview

Introduction

The Configuration Wizard enables you to configure the CallPilot server software. You can rerun the Configuration Wizard to update or review the server configuration.

The Configuration Wizard is accessible from CallPilot Manager (a web-based user interface). This chapter describes how to

- log on to Windows NT on the CallPilot server
- log on to the CallPilot server with CallPilot Manager
- run the Configuration Wizard
- change the pcAnywhere caller passwords



CAUTION

Risk of improper configuration

You must use the Configuration Wizard to change the computer name. If you use the Windows NT method to change the computer name, it is not properly updated in the CallPilot software.

Plan your responses to the Configuration Wizard

Ensure you have planned your responses to the Configuration Wizard by completing the “Configuration Wizard worksheet” in Part 1 of the *CallPilot Installation and Configuration* binder.

Online Help for the Configuration Wizard

Each page in the Configuration Wizard contains a Help button and provides detailed instructions regarding the selection or data entry required. Click Help at any time to get additional instructions.

Recovering Configuration Wizard changes if there is a system interruption

If a system interruption prevents the Configuration Wizard from finishing or applying the configuration changes, you may be able to recover the entries you made in the Configuration Wizard prior to the system problem. If CallPilot can save a recovery file, then, when you rerun the Configuration Wizard, you are asked if you want to recover your changes. Select Yes and step through the Configuration Wizard.

Running the Configuration Wizard to detect replacement boards

When you replace MPB16-4 boards or MPC-8 cards, you must rerun the Configuration Wizard to detect and initialize the hardware. You do not need to change any data in the Configuration Wizard to perform this operation, but you do need to apply the configuration changes as instructed on the last page of the Configuration Wizard.

Logging on to Windows NT on the CallPilot server

Introduction

If you want to access CallPilot Manager from the web browser embedded on the CallPilot server, you must first log on to Windows NT on the CallPilot server. Alternatively, you can access CallPilot Manager from any PC that has network access to the CallPilot server.

ATTENTION When logging on, ensure that the CAPS key is not on. The password is case sensitive.

To log on to Windows NT on the CallPilot server

- 1 Ensure that the CallPilot server has started and the Windows NT logon prompt appears.



- 2 Press Ctrl+Alt+Delete.

Result: The Logon Information dialog box appears.



- 3 Type **Administrator** as the user ID.

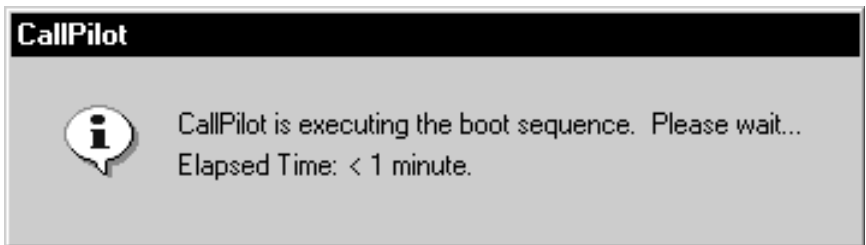
Note: You can choose to log on with a different user ID that has local administrative privileges.

- 4 Type the default password **abc123** (or the current Administrator password if it has been changed already).

Note: All passwords to Windows NT accounts should be changed from their default values to strong values known only to the customer. This includes the “gamroot” account used for the AR352 RAID card. CallPilot security is ultimately only as good as the passwords used.

- 5 Click OK.

Note: If the Configuration Wizard has previously been run on the CallPilot server, the following dialog box may appear:



Other dialog boxes may also appear that state if CallPilot is ready to accept calls. These dialog boxes are part of the CallPilot system ready indicator feature and are not applicable until you have run the Configuration Wizard.

Ignore these dialog boxes and continue with “Running the Configuration Wizard” on page 125. See “Checking that CallPilot is ready to accept calls” on page 130 for more information about the system-ready indicator dialog boxes.

Logging on to the CallPilot server with CallPilot Manager

Introduction

The Configuration Wizard is a menu item in CallPilot Manager. CallPilot Manager is the web-based CallPilot management tool, and can be accessed from any PC that has network access to the CallPilot server.

You can also access CallPilot Manager from the web browser on the CallPilot server. This may be the simplest method when installing CallPilot for the first time.

To log on to the CallPilot server with CallPilot Manager

The process for logging on to the CallPilot server with CallPilot Manager is the same for remote or local CallPilot servers. The logon process is completed in two stages:

1. Launch the web browser (on the CallPilot server, or on any PC that has network access to the CallPilot server), and then connect to CallPilot Manager.

For new installations, the CallPilot Manager is located on the CallPilot server. The URL syntax is

http://CallPilot server host name or IP address/cpmgr/

for example, *http://sunbird/cpmgr/*, where sunbird is the host name.

If you have installed CallPilot Manager on a stand-alone web server (a separate PC that functions as a web server for CallPilot), the URL syntax is

http://web server host name or IP address/cpmgr/

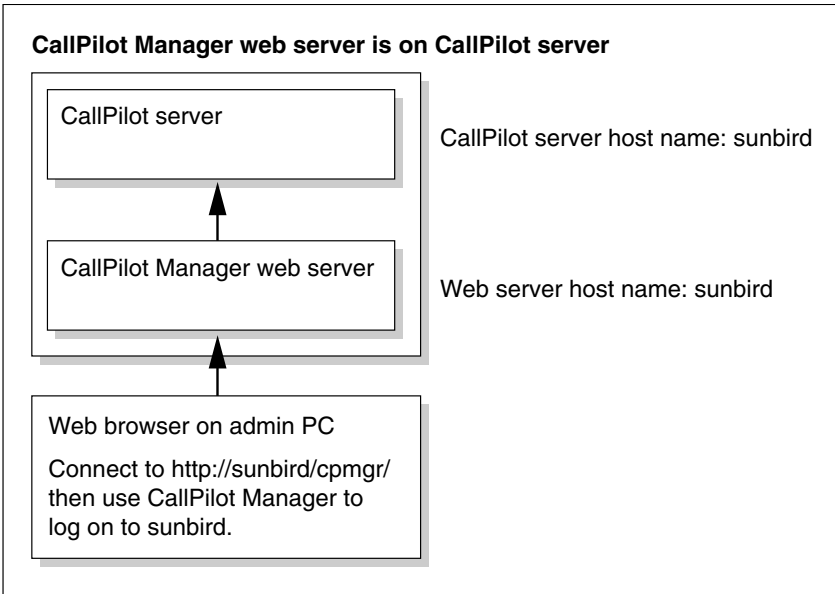
Note: For more details, see “Relationship of the CallPilot Manager web server to the CallPilot server” below.

2. Log on to the CallPilot server with an administrator’s mailbox number and password.

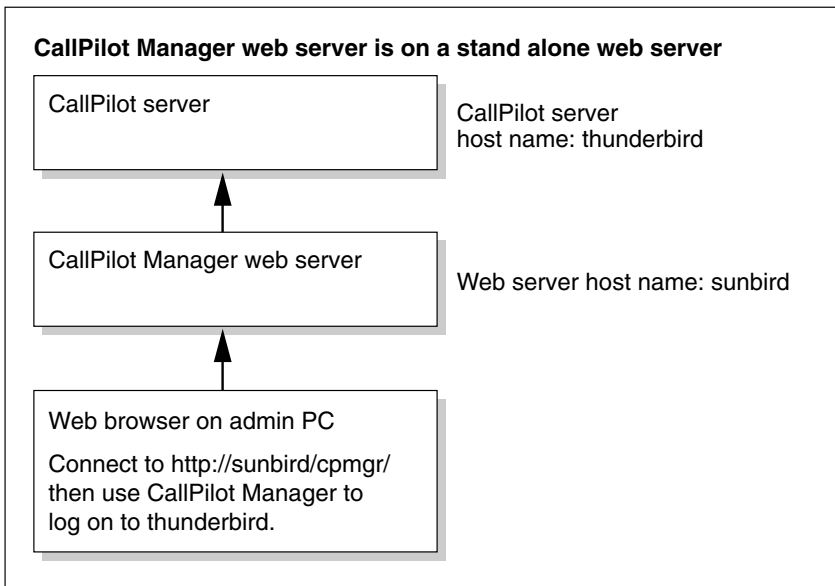
Relationship of the CallPilot Manager web server to the CallPilot server

The CallPilot Manager web server software can be installed on the CallPilot server, or on a stand-alone server. If the CallPilot Manager web server software is installed on a stand-alone server, you must know the CallPilot Manager server’s host name or IP address, as well as the CallPilot server’s host name or IP address.

See the following diagrams:



G101752



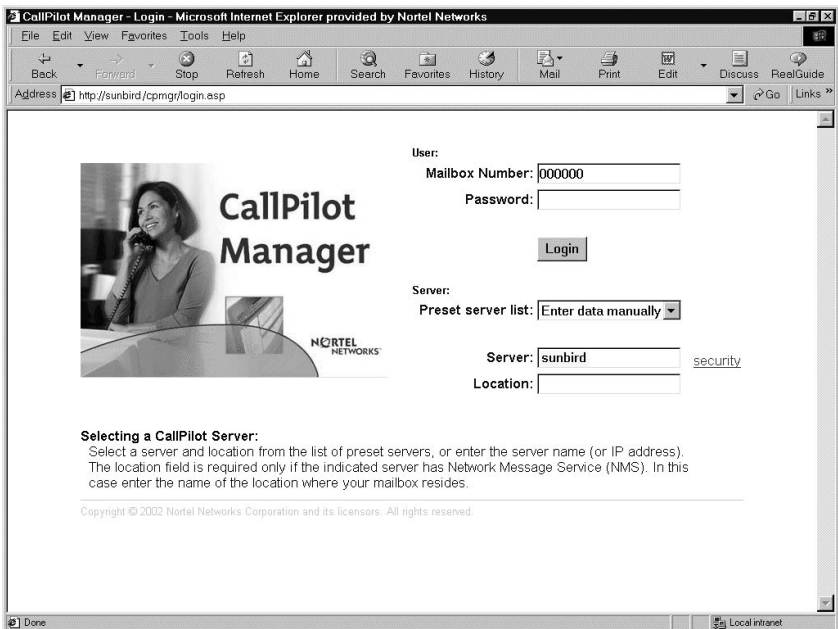
G101753

To log on to the CallPilot server

- 1 Launch the web browser on your PC or on the CallPilot server.
- 2 Type the URL to connect to CallPilot Manager in the Address or Location box of your web browser, and then press Enter.

Example: `http://sunbird/cpmgr/`

Result: When the connection is established, the CallPilot Manager Login page appears.



Note: The URL automatically appears as `http://web server host name or IP address/cpmgr/login.asp`.

- 3 Type the administration mailbox number and password.
- 4 Do one of the following:
 - Choose a server or location from the list of preconfigured servers or locations in the Preset server list box.
 - Type the CallPilot server's host name or IP address in the Server box.

- If the CallPilot server to which you are connecting has Network Message Service (NMS) installed, type the CallPilot server’s host name or IP address in the Server box, and then type the name of the switch location on which the administration mailbox resides in the Location box.

Note: Internet Explorer retains information that you have used before for each box except the Password. To reuse the information, do the following:

- a. Clear the contents in the box.
- b. Click once inside the box.
- c. Choose the item you need from the list that appears.

5 Click Login.

Result: The main CallPilot Manager page appears.



6 Continue with “Running the Configuration Wizard” on page 125.

Running the Configuration Wizard

Introduction

This section describes how to access and run the Configuration Wizard.

Requirements

- CallPilot language CD, if you are installing, adding, or upgrading languages
- completed “Configuration Wizard worksheet” from Part 1 of the *CallPilot Installation and Configuration* binder
- CallPilot keycode and serial number

To run the Configuration Wizard

ATTENTION

For each page in the Configuration Wizard, follow the instructions on the page. Use the information you recorded in the “Configuration Wizard worksheet” in Part 1 of the *CallPilot Installation and Configuration* binder. If you need additional instructions, click Help.

If you are rerunning the Configuration Wizard, some pages may be prefilled. Some pages also contain default values. If the prefilled information does not match the information planned for this server, then update any prefilled values as required.

- 1 Log on to CallPilot Manager. See “Logging on to the CallPilot server with CallPilot Manager” on page 120.
- 2 Click the Configuration Wizard shortcut on the main CallPilot Manager page, or select Tools → Configuration Wizard.

Result: The Welcome page of the Configuration Wizard appears.

- 3 Click Next to go to the next page.
- 4 Read the instructions carefully on each page. Click Help on the Configuration Wizard page if you need additional instructions. When you are finished with a page, click Next to continue.
- 5 When you reach the end of the Configuration Wizard, click Finish to save the Configuration Wizard changes, or click Cancel to discard any changes. No changes are implemented unless you click Finish.

Result: The Configuration Wizard requires up to an hour to apply changes, depending on the number of languages you are installing or updating, and the size of the system. When CallPilot completes the configuration changes, you are prompted to restart the server.

- 6 Restart the server.

Note: Ensure you use the restart procedure documented in Part 1 of the *CallPilot Installation and Configuration* binder.

Result: The server restarts and the configuration changes are in effect.

What's next?

Continue with “Changing pcAnywhere caller passwords” on page 127.

Changing pcAnywhere caller passwords

Introduction

With pcAnywhere, you can perform advanced administrative tasks on the server from a remote PC. You can control the server as though you were directly connected to the server.

One licensed copy of pcAnywhere is provided for the server on the CP 2.0 OS Recovery CD (or Upgrade CD). pcAnywhere is installed and configured on the server at the factory.

To install pcAnywhere on another PC, you must purchase a separate license. For instructions on how to install and configure pcAnywhere on another PC, refer to the *Administrator's Guide*.

To simplify the remote logon process, Nortel Networks recommends that you match the pcAnywhere caller password for CallPilotDist to the Nortel Networks user account password for NGenDist. Therefore, Nortel Networks recommends that you change the pcAnywhere caller CallPilotDist password and the Windows NT NGenDist account password at the same time.

To change pcAnywhere caller passwords

- 1 Stop the pcAnywhere session, if one is running.
- 2 Click Start → Programs → Symantec pcAnywhere.
Result: The pcAnywhere Manager opens.
- 3 Right-click the CallPilot icon, and then select Properties from the pop-up menu.
Result: The “pcAnywhere Host Properties: CallPilot” dialog box appears.
- 4 Click the Callers tab.
- 5 Right-click the CallPilotDist icon, and then select Properties from the pop-up menu.

- 6** In the Password box, type a new CallPilotDist password.
- 7** In the Confirm Password box, type the CallPilotDist password again.
- 8** Click Apply.
- 9** Click OK.
- 10** Click OK to return to the main pcAnywhere Manager window.
- 11** Double-click the CallPilot icon to restart the pcAnywhere session.

What's next?

Continue with Chapter 5, “Testing the CallPilot installation,” on page 129.

Chapter 5

Testing the CallPilot installation

In this chapter

Checking that CallPilot is ready to accept calls	130
Testing the connection to the ELAN	136
Testing the connection to the CLAN	137
Verifying that CallPilot can receive calls	138
Testing the CallPilot software and channels	139

Checking that CallPilot is ready to accept calls

ATTENTION

CallPilot is not ready to accept calls until the CallPilot services are fully operational. CallPilot services require approximately 10 minutes after starting up the CallPilot server to become fully operational.

Introduction

CallPilot uses various system-ready indicators to indicate when it is ready to accept calls, including

- displaying messages in dialog boxes on the CallPilot server monitor after logon; also displays a status icon in the top right corner of the CallPilot Manager window
- generating events that can be viewed in the Event Browser or Alarm Monitor in CallPilot Manager
- displaying status using the hex display (applies only to the 201i server)

The system-ready indicators described in this section appear when you restart the server, and also when CallPilot is running if a change in system readiness status occurs.

The system-ready indicators appear only if the Configuration Wizard has previously been run on the server. The CallPilot server is not ready to accept calls if the Configuration Wizard has not been run.

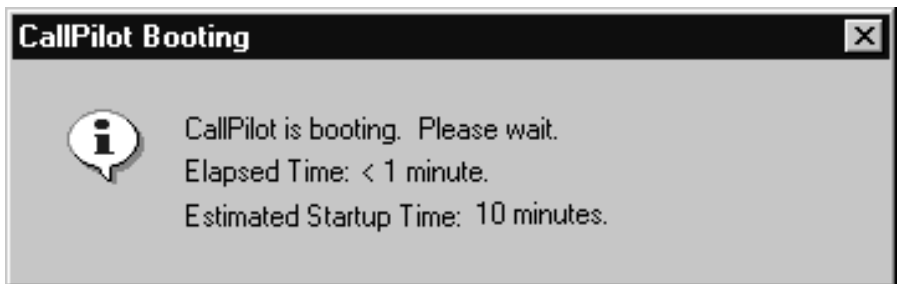
Note: The Configuration Wizard may have been run at the factory or distributor's site prior to shipment to the customer site. If so, then system-ready indicators are visible even the first time you start up CallPilot at the customer site.

Checking system readiness by observing the dialog box messages

A system-ready indicator dialog box appears on the screen any time there is a change in system readiness status. You can close these dialog boxes at any time. If the status changes, a dialog box appears again.

At all times, a system-ready indicator icon appears in the task bar in the bottom right corner of the screen. To view the system-ready indicator dialog box after you close it, double-click the system-ready indicator icon. To view the current status (boot, pass, warn, or fail), place the mouse pointer over the system-ready indicator icon. Help text (roll-over text) appears after a few seconds that states the current status.

Immediately after you log on to the server, the following dialog box appears on the screen if CallPilot services are not yet fully operational. It can take approximately 1 minute after logon for this dialog box to appear:



The Elapsed Time indicates how much time has passed since the CallPilot application began its boot sequence.

Note: This dialog box may not appear if enough time has passed between starting up the CallPilot server and logging on for CallPilot services to become fully operational. It takes approximately 10 minutes after starting up the CallPilot server for CallPilot services to become fully operational.

If the CallPilot start sequence is passed successfully (that is, CallPilot services are fully operational), the following dialog box appears:



Click OK to close the dialog box.

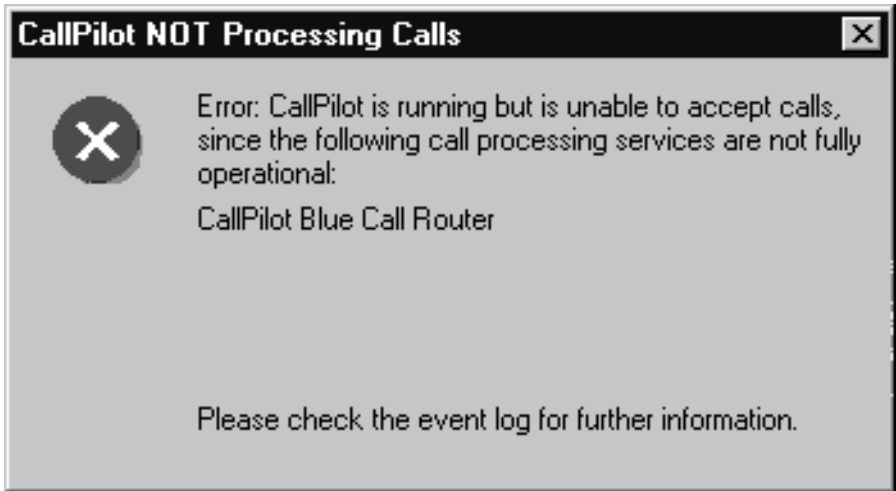
If there are errors, one of the following two dialog boxes appears (depending on the severity of the problem):

Warning message



Close the dialog box by clicking the X in the upper right corner. Check the Event Browser or Alarm Monitor in CallPilot Manager for more details. For instructions, refer to the online Help in CallPilot Manager.

Error message



Close the dialog box by clicking the X in the upper right corner. Check the Event Browser or Alarm Monitor in CallPilot Manager for more details. For instructions, refer to the online Help in CallPilot Manager.

Alternative methods for verifying that CallPilot is ready to accept calls

View events in CallPilot Manager or in the Windows NT Event Viewer on the server

The Pass, Warning, and Error system-ready indicator messages appear as events in the Event Browser and Alarm Monitor in CallPilot Manager, and in the Windows NT Event Viewer on the server.

The Event Browser and Alarm Monitor show only the latest 100 events by default (this default can be adjusted), so it is possible for the system-ready indicator events to be removed from the Event Browser and Alarm Monitor windows.

For detailed instructions on viewing events, refer to the online Help in CallPilot Manager.

Observe the HEX display (for the 201i server only)

The HEX display on the 201i server faceplate displays the following messages:

Note: The DOWN, OK, MIN, MAJ, CRI, and “???” messages can appear regardless of whether the Configuration Wizard has been run. Some MIN, MAJ, and CRI events may appear because the server has not been configured. These events may be resolved after running the Configuration Wizard. The BOOT, PASS, WARN, and FAIL messages are system-ready indicator messages; they do not appear if the Configuration Wizard has not been run.

IPE CallPilot server HEX display	Description
DOWN	The operating system is starting.
OK	The operating system start sequence has passed.
BOOT	CallPilot is starting and is not yet fully operational. Please wait.
PASS	CallPilot is fully operational and ready to accept calls.
WARN	CallPilot is ready to accept calls; however, some services failed the start sequence. Check the event log for further information.
FAIL	CallPilot failed the start sequence and cannot accept calls. Check the event log for further information.
MIN	A minor alarm has occurred. Check the event log for further information.
MAJ	A major alarm has occurred. Check the event log for further information.

**IPE CallPilot server
HEX display****Description**

CRI	A critical alarm has occurred. Check the event log for further information.
???	This indicates that an alarm of unknown severity occurred. This error should not occur on a properly installed system. The severity of this event is treated as higher-than-critical.

Testing the connection to the ELAN

Introduction

This procedure tests the network connection between the server and the Succession CSE 1000 system over the ELAN.

To test the connection to the ELAN

- 1 Click Start → Programs → Command Prompt.

Result: The Command Prompt window appears.

- 2 Type **ping** followed by the ELAN IP address for the Succession CSE 1000 system, and then press Enter.

Note: Refer to the Configuration Wizard worksheets that you completed in Part 1 of the *CallPilot Installation and Configuration* binder for the IP address. This is also the ELAN IP address specified for the Succession CSE 1000 system in “Configuring Succession CSE 1000 IP addresses and enabling the Ethernet interface” on page 81.

Example: ping 255.255.255.255

Result: The display should indicate a successful ping. If the ping is not successful, check the connection from the CallPilot server’s ELAN card to the Succession CSE 1000 system.

- 3 If the CallPilot server is also connected to a CLAN, then continue with “Testing the connection to the CLAN” on page 137.

If the CallPilot server is not connected to a CLAN, then type **exit** and press Enter to close the Command Prompt window. Then continue with “Verifying that CallPilot can receive calls” on page 138.

Testing the connection to the CLAN

Introduction

This procedure tests the network connection between the server and the Customer LAN (CLAN). This applies only if CallPilot has a CLAN card and is connected to a CLAN.

To test the connection to the CLAN

- 1 Click Start → Programs → Command Prompt.

Result: The Command Prompt window appears.

- 2 Type **ping** followed by the CLAN IP address of another PC on the CLAN, and then press Enter.

Example: ping 255.255.255.255

Result: The display should indicate a successful ping.

- 3 Type **exit**, and then press Enter to close the Command Prompt window.

Verifying that CallPilot can receive calls

Introduction

The following procedure is a basic test to verify that CallPilot is able to receive calls from the Succession CSE 1000 system and answer those calls. A more thorough test that requires the use of CallPilot Manager is described in “Testing the CallPilot software and channels” on page 139.

To verify that CallPilot can receive calls

- 1 Ensure that CallPilot services are fully operational before you begin. See “Checking that CallPilot is ready to accept calls” on page 130.
- 2 Dial the main Voice Messaging DN that you defined in the Configuration Wizard.
- 3 Listen for a response from CallPilot (for example, “CallPilot from Nortel Networks ...”), and then hang up.

If you do not get a response, then do the following:

- a. Check the cabling between the server and the Succession CSE 1000 system.
- b. Verify that the Succession CSE 1000 system is processing calls to other extensions.
- c. Refer to Part 5 of the *CallPilot Installation and Configuration* binder for troubleshooting instructions.

What’s next?

Continue with “Testing the CallPilot software and channels” on page 139.

Testing the CallPilot software and channels

Introduction

This section includes a series of tests of the CallPilot installation including verifying that

- you can leave a message
- you can retrieve a message
- each call channel and multimedia (DSP) channel is functioning properly

Before you begin

- Ensure that you have configured the Succession CSE 1000 system and CallPilot server, as described in this guide.
- Obtain the ACD DN for CallPilot.
- Identify a phoneset DN that exists on the Succession CSE 1000 system that you can use for testing.
- Have a pencil and paper ready to record the results of the tests.

To verify that you can leave a message

Complete the following procedures to perform this test:

- “To add a user for testing purposes” on page 140
- “To configure the Voice Messaging DN” on page 141
- “To leave a message” on page 141

To add a user for testing purposes

- 1 Log on to Windows NT on the CallPilot server. See “Logging on to Windows NT on the CallPilot server” on page 118.

Note: Although you can access CallPilot Manager from any PC that has network access to the CallPilot server, later tests require that you be logged on to the CallPilot server.

- 2 Log on to CallPilot Manager. See “Logging on to the CallPilot server with CallPilot Manager” on page 120.
- 3 Click Users → Add User.

Result: The Express Add page appears.

- 4 Type the required information. Each required field is marked with an asterisk (*). Accept the default values for other fields.

For example, create a user named TEST USER.

ATTENTION

The tests in this section use the mailbox number 8050 as an example. Ensure that you specify a DN that is defined on the Succession CSE 1000 system.

- 5 Click Advanced User Add.

Result: The Advanced User Add page appears, and the information you have already entered appears.

- 6 Scroll down to the Security section of the page and specify a mailbox password. Write down the password. Leave all other fields at their default values.
- 7 Click Express Add.

Result: The Express Add page appears.

- 8 Click Add.

Result: CallPilot Manager displays a summary of the user just added.

To configure the Voice Messaging DN

Note: If you have already configured a Voice Messaging CDN in the Configuration Wizard, then you can skip this procedure. If you are not sure, continue with this procedure to verify that a Voice Messaging CDN is present, or to configure one if necessary.

- 1 Click System → Service Directory Number.

Result: The Service Directory Number page appears.

- 2 Click New.

Result: The SDN Detail page appears.

- 3 In the Service DN box, type the primary Voice Messaging DN for CallPilot.

Note: If there are no voice channels installed on CallPilot, then use the Fax or Speech Recognition primary DN as the Voice Messaging DN for these tests. You can still use the Voice Messaging application as described in this procedure.

- 4 In the Application Name box, select Voice Messaging.

- 5 In the Media Type box, select Voice.

Note: If there are no voice channels installed on CallPilot, then select Fax or Speech Recognition based on the DN that you specified in step 3.

- 6 Click Save.

To leave a message

- 1 From any active phoneset that is connected to the Succession CSE 1000 system, dial the Voice Messaging Service DN that you have just created.

Result: CallPilot plays the following prompt: “Nortel CallPilot. Mailbox?”

Note: If CallPilot does not answer the call or you do not hear a prompt, then check that the call channels and multimedia channels are in Idle state, as described in “Verifying that each call channel and multimedia channel is functioning properly” on page 144.

- 2 Enter the mailbox number followed by number sign (#) (for example, 8050#).

Result: CallPilot plays the following prompt: *Password?*

- 3 Enter the mailbox password **135246#**.

Result: CallPilot plays the following prompt: *The temporary password assigned by your administrator must be changed. To access your mailbox, please press 84 and change your password.*

- 4 Press **84**.

Result: CallPilot plays the following prompt: *Password change. To authorize the change, please enter your old password followed by number sign.*

- 5 Enter **135246#**.

Result: CallPilot plays the following prompt: *Please enter your new password followed by number sign.*

- 6 Enter a new mailbox password followed by number sign (#) (for example, 805011#).

Result: CallPilot plays the following prompt: *Please enter your new password again followed by number sign.*

- 7 Enter the new mailbox password again to confirm (for example, 805011#).

Result: CallPilot plays the following prompt: *Your password has been changed. Your mailbox is empty.*

- 8 Press **75** to compose a message.

Result: CallPilot plays the following prompt: *Compose...*

- 9 Enter the mailbox number, followed by number sign (#) twice (for example, 8050##).

Result: CallPilot plays the following prompt: *To begin recording, Press 5. To end recording, press number sign.*

10 Press **5** to record a message. Record a message, and then press number sign (#) to stop.

Result: CallPilot plays the following prompt: *Recording Stopped*. There is a brief pause, followed by the prompt: *To review the message, press 2, to send it, press 79...*

11 Press **79** to send the message.

Result: CallPilot plays the following prompt: *Message sent and deleted*.

12 Press **83**, and then hang up the phone.

13 Verify that the Message Waiting Indicator (MWI) is on.

To verify that you can retrieve a message

1 Pick up the telephone handset and dial the same Voice Messaging Service DN again.

2 When prompted, enter the mailbox number where the message was left (for example, 8050#).

Result: CallPilot plays the following prompt: *Password?*

3 Enter the mailbox password (for example, 805011#).

Result: CallPilot plays the following prompt: *You have one new message. Message one. New. From... .*

ATTENTION

If you do not hear the exact message, *You have one new message...*, this indicates that the wrong prompts have been installed or that CallPilot did not install properly.

If you did not hear the correct message, contact your Nortel Networks customer support representative.

4 Press **2** to play the message, and then listen to it.

- 5 Press **76** to delete the message.

Result: CallPilot plays the following prompt: *Message 1 deleted.*

ATTENTION

If you do not hear the exact message, *Message 1 deleted*, this indicates that the wrong prompts have been installed or that CallPilot did not install properly.

If you do not hear the correct message, contact your Nortel Networks customer support representative.

- 6 Press **83** and then hang up the phone.

Verifying that each call channel and multimedia channel is functioning properly

These tests verify that the call channels and multimedia (DSP) channels are functioning properly.

The call channel is the channel that carries the call signal from the Succession CSE 1000 system to CallPilot. The multimedia channel is the channel in CallPilot that processes the call and provides voice, fax, or speech recognition capability.

These tests consist of the following procedures:

- “To test call channels and voice channels” on page 145 (Skip this procedure if you do not have voice channels installed.)
- “To test call channels and fax channels” on page 147 (Skip this procedure if you do not have fax channels installed.)
- “To test call channels and speech recognition channels” on page 149 (Skip this procedure if you do not have speech recognition channels installed.)
- “To restore the SDN Table and put all channels back in service” on page 151

Note: These tests require that you access the Channel Monitor, Multimedia Monitor, and Service Directory Number applications in CallPilot Manager. If you need additional instructions for these programs, refer to the online Help in CallPilot Manager, or to the *CallPilot Administrator's Guide* (NTP 555-7101-301). You also are required to access the System Monitor utility. The System Monitor utility is described in the chapter “Using CallPilot system utilities” in Part 5 of the *CallPilot Installation and Configuration* binder.

To test call channels and voice channels

Note: If CallPilot has no voice channels, go to “To test call channels and fax channels” on page 147. If CallPilot also has no fax channels, go to “To test call channels and speech recognition channels” on page 149.

- 1 In CallPilot Manager, click System → Service Directory Number.

Result: The Service Directory Number page appears.

- 2 Ensure that the Voice Messaging Service DN is set to the ACD DN.

Note: If the Voice Messaging Service DN is not set to the ACD DN, then select the defined Service DN and click File → Properties. Make the required changes, and then click Save.

- 3 In the Application Name box, ensure that Voice Messaging is selected.

- 4 In the Media Type box, ensure that Voice is selected.

- 5 Click Maintenance → Multimedia Monitor.

Result: The Multimedia Monitor appears.

- 6 Select and start a maximum of 8 voice channels for testing.

Note: Nortel Networks recommends that you test a maximum of 8 voice channels at one time. For example, if you have a 96-channel system, start only 8 voice channels. When those 8 voice channels are tested, stop them and start another set of voice channels.

- 7 Stop all fax and speech recognition channels, if these channels are present.

- 8 Verify that all voice channels are in Idle state.

9 In CallPilot Manager, click Maintenance → Channel Monitor.

Result: The Channel Monitor appears.

10 Select the whole system and stop all channels.

11 Select and start the same number of call channels as voice channels that you have started. For example, if you have started 8 voice channels, then start 8 call channels.

12 On the CallPilot server desktop, click Start → Programs → CallPilot → System Utilities → System Monitor.

Result: The CallPilot System Monitor window appears. By default, the Channel Monitor tab appears on top.

13 Observe the System Monitor window and verify that all the required multimedia (DSP) and call channels are in Idle state, and that all other channels are Off Duty (out of service).

14 Use a telephone to dial the service DN that you entered in the SDN table for Voice Messaging.

15 Verify that CallPilot answers the call and that the CallPilot greeting plays.

16 Observe the System Monitor and record which call channel and which voice channel changes to Active state.

17 Hang up the telephone.

18 Repeat steps 14 to 17 until all the selected voice and call channels are tested.

Note: If the calls are not cycling through all voice and call channels, then stop the tested voice and call channels. This forces the next call to go to the untested voice and call channels. When you stop the channels, there may be a short delay before the channels go to Off Duty state. This is because stopped channels go to a 1 minute standby mode so they are ready for the next call.

19 Stop the voice and call channels that have been tested. Then repeat steps 5 to 18 until all voice channels and the same number of call channels are tested.

To test call channels and fax channels

Note: If CallPilot has no fax channels, go to “To test call channels and speech recognition channels” on page 149.

- 1 In CallPilot Manager, click System → Service Directory Number.

Result: The Service Directory Number page appears.

- 2 In the Service Directory Number page, click the Voice Messaging Service DN that you have been using for testing.

Result: The SDN Detail page appears showing the properties of the Voice Messaging Service DN.

- 3 In the Media Type box, select Fax.

Note: You can leave the Application Name as Voice Messaging.

- 4 Click Save.

- 5 Click Maintenance → Multimedia Monitor.

Result: The Multimedia Monitor appears.

- 6 In the Multimedia Monitor page, select and start a maximum of 8 fax channels for testing.

Note: Nortel Networks recommends that you test a maximum of 8 fax channels at one time. For example, if you have a 96-channel system, start only 8 fax channels. When those 8 fax channels are tested, stop them and start another set of fax channels.

- 7 Stop all voice and speech recognition channels, if these channels are present.
- 8 Verify that all fax channels are in Idle state, and leave the Multimedia Monitor page open so that you can observe when channels change to Active state.

- 9 In CallPilot Manager, click Maintenance → Channel Monitor.

Result: The Channel Monitor appears.

- 10 Select the whole system and stop all channels.

- 11** Select and start the same number of call channels as fax channels that you have started. For example, if you have started 8 fax channels, then start 8 call channels.
Note: Ensure you select and start call channels that have not already been tested (for example, as part of the voice channel test).
- 12** On the CallPilot server desktop, click Start → Programs → CallPilot → System Utilities → System Monitor.
Result: The CallPilot System Monitor window appears. By default, the Channel Monitor tab appears on top.
- 13** Observe the System Monitor window and verify that all the required multimedia (DSP) and call channels are in Idle state, and that all other channels are Off Duty (out of service).
- 14** Use a telephone to dial the service DN that you entered in the SDN table.
- 15** Verify that CallPilot answers the call and that the CallPilot greeting plays.
- 16** Observe the System Monitor and record which call channel and which fax channel changes to Active state.
- 17** Hang up the phone.
- 18** Repeat steps 14 to 17 until all the selected fax and call channels are tested.
Note: If the calls are not cycling through all fax and call channels, then stop the tested fax and call channels. This forces the next call to go to the untested fax and call channels. When you stop the channels, there may be a short delay before the channels go to Off Duty state. This is because stopped channels go to a 1 minute standby mode so they are ready for the next call.
- 19** Stop the fax and call channels that have been tested. Then repeat steps 5 to 18 until all fax channels and the same number of call channels are tested.

To test call channels and speech recognition channels

- 1 In CallPilot Manager, click System → Service Directory Number.

Result: The Service Directory Number page appears.

- 2 In the Service Directory Number page, click the Voice Messaging Service DN that you have been using for testing.

Result: The SDN Detail page appears showing the properties of the Voice Messaging Service DN.

- 3 In the Media Type box, select Speech Recognition.

Note: You can leave the Application Name as Voice Messaging.

- 4 Click Save.

- 5 Click Maintenance → Multimedia Monitor.

Result: The Multimedia Monitor appears.

- 6 In the Multimedia Monitor page, select and start a maximum of 8 speech recognition channels for testing.

Note: Nortel Networks recommends that you test a maximum of 8 speech recognition channels at one time. For example, if you have a 96-channel system, start only 8 speech recognition channels. When those 8 speech recognition channels are tested, stop them and start another set of speech recognition channels.

- 7 Stop all fax and voice channels, if these channels are present.

- 8 Verify that all speech recognition channels are in Idle state, and leave the Multimedia Monitor page open so that you can observe when channels change to Active state.

- 9 In CallPilot Manager, click Maintenance → Channel Monitor.

Result: The Channel Monitor appears.

- 10 Select the whole system and stop all channels.

- 11 Select and start the same number of call channels as speech recognition channels that you have started. For example, if you have started 8 speech recognition channels, then start 8 call channels.

Note: Ensure you select and start call channels that have not already been tested (for example, as part of the voice or fax channel test).

- 12** On the CallPilot server desktop, click Start → Programs → CallPilot → System Utilities → System Monitor.
Result: The CallPilot System Monitor window appears. By default, the Channel Monitor tab appears on top.
- 13** Observe the System Monitor window and verify that all the required multimedia (DSP) and call channels are in Idle state, and that all other channels are Off Duty (out of service).
- 14** Use a telephone to dial the service DN that you entered in the SDN table.
- 15** Verify that CallPilot answers the call and that the CallPilot greeting plays.
- 16** Observe the System Monitor and record which call channel (on the Channel Monitor page) and which speech recognition channel (on the Multimedia Monitor page) changes to Active state.
- 17** Hang up the phone.
- 18** Repeat steps 14 to 17 until all the selected speech recognition and call channels are tested.
Note: If the calls are not cycling through all speech recognition and call channels, then stop the tested speech recognition and call channels. This forces the next call to go to the untested speech recognition and call channels. When you stop the channels, there may be a short delay before the channels go to Off Duty state. This is because stopped channels go to a 1 minute standby mode so they are ready for the next call.
- 19** Stop the speech recognition and call channels that have been tested. Then repeat steps 5 to 18 until all speech recognition channels and the same number of call channels are tested.

To restore the SDN Table and put all channels back in service

- 1 In CallPilot Manager, click System → Service Directory Number.

Result: The Service Directory Number page appears.

- 2 In the Service Directory Number page, select the check box for the Voice Messaging Service DN that you have been using for testing.

- 3 Click Delete Selected.

Result: The Service DN is deleted.

Note: If you are ready to begin CallPilot administration, you can choose to keep this Service DN. However, ensure that the Service DN is configured as required for normal operation. For example, do not leave the Service DN set to the ACD DN.

- 4 In CallPilot Manager, click Maintenance → Channel Monitor.

Result: The Channel Monitor appears.

- 5 In the Channel Monitor page, select the whole system and start all channels.

- 6 Verify that all call channels are in Idle state.

- 7 Click Maintenance → Multimedia Monitor.

Result: The Multimedia Monitor appears.

- 8 In the Multimedia Monitor page, select the whole system and start all channels.

- 9 Verify that all multimedia channels are in Idle state.

Result: The CallPilot tests are completed.

What's next

Once your testing indicates that the server upgrade, new installation/configuration, platform migration, or system rebuild is successful, perform a full system backup. Refer to Chapter 8, “Backing up and restoring CallPilot information” of the *Administration Guide* for more information.

Index

Numerics

- 1001rp
 - MGate cabling diagram 62, 64, 65, 67
- 1002rp
 - MGate cabling diagram 62, 64, 65, 67
- 201i server
 - and Media Gateway card slots 26, 48
 - network diagram 19
- 702t
 - MGate cabling diagram 62, 64, 65, 66

A

- ACD
 - creating 97
 - defining the default DN 97
 - See* Automatic Call Distribution
- ACD agent
 - queue
 - configuring 91
- ACD agents 30
 - configuring 93
- ACD agents and overlay 11 30
- adding a user 140
- AML message tracing 80
- Automatic Call Distribution, definition 30

B

- boards, replacement
 - detecting 117

C

- call channels
 - test 145, 147, 149
- call dropped 43
- Call Forward by Call Type 89
- Call Park Allowed 73
- call queuing, definition for Succession CSE1000 system 32
- call routing
 - definition for Succession CSE 1000 system 32
 - diagram 37
- Call Server 23
 - diagram 24
- CallPilot
 - verifying that services are fully operational 130
- CallPilot Manager 123
 - log on to CallPilot server with 120
 - viewing events 133
- CallPilot server
 - log on instructions 120, 123
- CallPilot server and MGate card
 - connecting 59
- CallPilot software
 - testing 139
- CallPilot, configuring for
 - Symposium Call Center Services 14
- calls, verification 138
- card slots
 - enabling 96
 - Media Gateway 26
- CDN

- control mode 31
- default mode 31
- queue 31
 - configuring for messaging services 99
- See* Control Directory Number
- channel verification 144
- channels
 - back in service 151
 - testing 139
- checklists
 - Meridian 1 system configuration 72
- CLAN
 - connection test 137
- Configuration Wizard 130
 - online help 117
 - overview 116
 - recovering changes 117
 - running 125
 - using to detect replacement boards 117
- configuring
 - CallPilot 116
 - CallPilot channels as ACD agents 93
 - CDNs for messaging services 99
 - Phantom DN's 101
 - the Succession CSE 1000 system 72
- connection test
 - ELAN 136
- Control Directory Number
 - definition 31
- customer data block
 - defining CallPilot 85
 - modifying 85
- customer number 76

D

- desktop client PCs 22
- diagrams
 - call routing 37
 - DS30X cable 60
 - MGate card cabling 60
 - network, 201i server 19
 - network, rackmount server 20

- network, tower server 20
- securing the MGate cable connection 68
- Succession CSE 1000 system
 - Call Server 24
 - Media Gateway 25
 - Media Gateway Expansion 25
- Digit Manipulation 111
- DS30X cables
 - connecting 67
 - overview 47
- dual DS30X cable (NTRH2013) 59

E

- ELAN
 - connection test 136
 - See* Embedded LAN
- Equipment LAN
 - See* Embedded LAN
- ELAN range 77
- ELAN, provisioning
 - overlay 17 77
- Embedded LAN
 - provisioning 77
- Ethernet
 - connection 72, 77
 - interface 81, 82
 - subnet mask 83

F

- faulty MGate card
 - impact 47
- fax channels 147
- front bezel
 - replacing 58

H

- HEX display
 - descriptions 134

HEX display, 200i and 201i server 134

I

inbound SDN 36
 inside front cover plate
 replacing 57
 IP address
 changing after CallPilot install 81
 IP addresses
 configuring 82

L

language, support
 multiple 101
 LED indicators
 MGate card 55
 LED states
 combined 56
 logging on to CallPilot server 118
 logging on to Windows NT 118

M

Media Gateway
 card slots and 201i server 48
 expansion 24
 message
 leaving 141
 retrieving 143
 Message Center Included 73
 Message Register for AML
 defining 72
 Message Register, defining 80
 messaging services
 configuring CDNs for 99
 MGate #1, #2, and #3, location
 identification 61
 MGate cabling diagram
 1001rp 62, 64, 65, 67

 1002rp 62, 64, 65, 67
 702t 62, 64, 65, 66

MGate card 21
 cables 47
 LED indicators 55
 MGCR
 See Message Register
 MGCR parameter 80
 modem 22
 MPB #1 and MPB #2, location table 60
 MPB16-4 board 21
 MPB16-4 board and MGate card
 connecting 62, 64, 65, 66
 MPC-8 card 22
 MPUs 41
 multimedia channel
 definition 41
 how acquired from ACD queue 42
 types 41
 multimedia channel verification 144
 multimedia channels
 caller acquired 42
 multimedia channels, idle 42
 multimedia channels, not idle 42

N

Network Message Service
 configuring the route data block for 111
 NMS
 See Network Messaging Service
 NTRH2012
 single DS30X cable 59
 NTRH2013
 dual DS30X cable 59

O

outbound SDN 36
 Overlays
 guidelines for working with 76

P

- password
 - pcAnywhere 127
- pcAnywhere caller passwords
 - changing 127
- PCs
 - desktop client 22
- Phantom DN 33
 - configuring 101, 103
 - creating 33
 - definition 33
 - forwarding to a CDN queue 33
 - networking services and 34
- Phantom DNs
 - services requiring 33
- phantom loops
 - checking for 102
- phantom superloop
 - configuring 103
- phoneset
 - required features 107
- phoneset, user
 - provisioning 107
- phonset, users with fax capabilities 101
- ping command 136, 137
- Position IDs 93

R

- rackmount server
 - network diagram 20

S

- SDN
 - inbound SDN 36
 - outbound SDN 36
 - See* Service Directory Number
- SDN Table
 - restoring 151
- SDN Table controls 35

- Service Directory Number
 - overview 35
 - types 36
- single DS30X cable (NTRH2012) 59
- speech recognition channels 149
- subnet mask 83
- Succession Communication Server for Enterprise 1000
 - Call Server, description 23
 - Media Gateway Expansion, description 24
 - Media Gateway, description 24
- Succession CSE 1000 system
 - configuration task checklist 72
- Succession CSE 1000 system and CLAN connected 81
- Succession CSE 1000 system, configuration saving 113
- Succession CSE 1000 system, configuring for
 - CallPilot and Symposium Call Center Services 14
- system readiness
 - checking 131
- system-ready indicators 130

T

- Terminal number
 - for 200i, 201i
 - for tower, rackmount 93
- testing
 - adding a user for 140
 - testing call channels 145, 147, 149
 - testing fax channels 147
 - testing speech recognition channels 149
 - testing voice channels 145
- TNs
 - See* Terminal numbers
- tower server
 - network diagram 20

V

- verifying that CallPilot services are fully operational 130
- virtual fax DNs 101
- voice channels 145
- Voice Messaging DN
 - configuring 141

W

- Windows NT
 - viewing events 133

CallPilot

Installation and Configuration

Part 3: Succession CSE 1000 and CallPilot Server Configuration

Copyright © 2002 Nortel Networks, All Rights Reserved

Information is subject to change without notice. Nortel Networks reserves the right to make changes in design or components as progress in engineering and manufacturing may warrant.

The process of transmitting data and call messaging between the CallPilot server and the Meridian 1 switch or Succession CSE 1000 system is proprietary to Nortel Networks. Any other use of the data and the transmission process is a violation of the user license unless specifically authorized in writing by Nortel Networks prior to such use. Violations of the license by alternative usage of any portion of this process or the related hardware constitutes grounds for an immediate termination of the license and Nortel Networks reserves the right to seek all allowable remedies for such breach.

Publication number: 555-7101-510

Product release: 2.0

Document release: Standard 1.0

Date: October 2002

Printed in Canada

