

## System Details

System ID: \_\_\_\_\_ (10 digits, format XXXXXXXXXXXX)

Customer name: \_\_\_\_\_ Address: \_\_\_\_\_

KSU location: \_\_\_\_\_

Contact: \_\_\_\_\_

Phone number: \_\_\_\_\_ Install date: \_\_\_\_\_

RAD phone number: \_\_\_\_\_ RAD password: \_\_\_\_\_

Remote time difference + - \_\_\_\_\_ hours from local time (circle + or -)

Type of system: **Compact** Compact Disconnect Software version: **DR5**

System language: **English/French** or **English/Spanish**

## System Startup

Apply a Template to the KSU (use the Initialize system feature to apply a template)

Template (select one of the following, the default is shown in bold)

- Square**  **Line 1 and 2 are assigned to each set.**
- Hybrid  Line 1 is assigned to each set. All sets have access to Line Pool A.
- PBX  No line is assigned to any set. All sets have access to Line Pool A.

## Installed equipment

### Trunks

Line	Name	Type

### Sets

Port Number	Default DN	New DN	Name or Location (max. 7 characters)	Telephones				Addons		Other equipment
				M7100	M7208	M7310	M7324	CAP	BLF	

• Other equipment includes Analog Terminal Adapters (ATAs), Auxiliary ringers, External paging equipment, Music sources, Emergency telephones, Station Auxiliary Power Supplies (SAPS), Remote Access Devices (RADs), and Station Message Detail Recording Units (SMDRs).

# System programming

## Call handling

Held reminder	On	<b>Off</b>									
Held line reminder delay	30	<b>60</b>	90	120	150	180					seconds
Delayed ring transfer to prime	<b>On</b>		<b>Off</b>								
Delayed ring transfer to prime delay	1	2	<b>3</b>	4	6	10					rings
Directed pickup	<b>On</b>		<b>Off</b>								
Voice Message Center	telephone number 1 _____					telephone number 2 _____					
	telephone number 3 _____					telephone number 4 _____					
	telephone number 5 _____										
Transfer callback delay	<b>3</b>	4	5	6	12						rings
Park prefix	0	<b>1</b>	2	3	4	5	6	7	8	9	None
Call park timeout delay	30	<b>45</b>	60	90	120	150	180	300	600		seconds
Camp timeout delay	30	<b>45</b>	60	90	120	150	180				seconds
On hold feedback	<b>Tone</b>		Music		Silence						

## Miscellaneous

Direct dial number	<b>0</b>	1	2	3	4	5	6	7	8	9	None
Direct dial set	Set 1: _____										
Link time	100	200	300	400	500	<b>600</b>	700	800	900	1000	milliseconds
Host delay	200	400	600	800	<b>1000</b>	1200	1400	1600	1800	2000	milliseconds
External line code	0	1	2	3	4	5	6	7	8	<b>9</b>	None
Supervision time*	60	100	260	<b>460</b>	600						milliseconds
Background music	On		<b>Off</b>								
Set relocation	On		<b>Off</b>								
Line pool access codes: (1 to 4 digits long, or blank)	Line pool A: _____ Line pool B: _____ Line pool C: _____										

## Service modes

Name (max. 7 chars.)	Night _____			Evening _____			Lunch _____		
Type	Manual	Off	Auto	Manual	Off	Auto	Manual	Off	Auto
If Auto									
Start time	<b>23:00</b>	Hr: ____	Min: ____	<b>17:00</b>	Hr: ____	Min: ____	<b>12:00</b>	Hr: ____	Min: ____
Stop time	<b>07:00</b>	Hr: ____	Min: ____	<b>23:00</b>	Hr: ____	Min: ____	<b>13:00</b>	Hr: ____	Min: ____
TAFAS	<b>On</b>	Off		<b>On</b>	Off		<b>On</b>	Off	
Extra-dial set	<b>21</b>	DN: _____		<b>21</b>	DN: _____		<b>21</b>	DN: _____	

\* This option is only available with the Disconnect Supervision compatible KSU.

## System Filters

Filter #	Restrictions		Exceptions	
	# (2 digits)	Restrictions digits (maximum 15 digits)	# (3 digits)	Exceptions digits (maximum 16 digits)

## System Passwords

\*\*CONFIG password: \_ \_ \_ \_ \_ \*\*ADMIN password: \_ \_ \_ \_ \_

## Class of Service (COS) Passwords

Number (2 digits)	COS Password (6 digits)	User Filter (2 digits)	Line Filter (2 digits)	Number (2 digits)	COS Password (6 digits)	User Filter (2 digits)	Line Filter (2 digits)

## System speed dials

Code	Phone number	Line	Name	Show	Bypass
				Y N	Y N
				Y N	Y N
				Y N	Y N
				Y N	Y N
				Y N	Y N
				Y N	Y N
				Y N	Y N
				Y N	Y N
				Y N	Y N
				Y N	Y N
				Y N	Y N
				Y N	Y N
				Y N	Y N
				Y N	Y N
				Y N	Y N
				Y N	Y N
				Y N	Y N
				Y N	Y N
				Y N	Y N
				Y N	Y N
				Y N	Y N
				Y N	Y N
				Y N	Y N
				Y N	Y N
				Y N	Y N
				Y N	Y N
				Y N	Y N
				Y N	Y N
				Y N	Y N
				Y N	Y N
				Y N	Y N
				Y N	Y N
				Y N	Y N
				Y N	Y N
				Y N	Y N
				Y N	Y N
				Y N	Y N
				Y N	Y N
				Y N	Y N
				Y N	Y N
				Y N	Y N
				Y N	Y N
				Y N	Y N
				Y N	Y N
				Y N	Y N
				Y N	Y N
				Y N	Y N
				Y N	Y N
				Y N	Y N
				Y N	Y N
				Y N	Y N
				Y N	Y N
				Y N	Y N
				Y N	Y N
				Y N	Y N

Maximum length of each System speed dial number is 24 digits. **Note:** Pause (P) and Run/Stop (X) each use one digit, and Link/Flash (F), and Programmed Release (R) use two digits when programmed into a System speed dial number.

# Line programming

## Line data

	Line ____	Line ____	Line ____	Line ____	Line ____	Line ____
CO line number (maximum 2 digits)						
Line type <b>Public</b>	<input type="checkbox"/>	<input type="checkbox"/>	<input type="checkbox"/>	<input type="checkbox"/>	<input type="checkbox"/>	<input type="checkbox"/>
Private to	<input type="checkbox"/> _____	<input type="checkbox"/> _____	<input type="checkbox"/> _____	<input type="checkbox"/> _____	<input type="checkbox"/> _____	<input type="checkbox"/> _____
Pool (A to C)	<input type="checkbox"/> _____	<input type="checkbox"/> _____	<input type="checkbox"/> _____	<input type="checkbox"/> _____	<input type="checkbox"/> _____	<input type="checkbox"/> _____
Prime set (21)						
Auto privacy	<b>On</b> Off	<b>On</b> Off	<b>On</b> Off	<b>On</b> Off	<b>On</b> Off	<b>On</b> Off
Auxiliary ringer	<b>On</b> Off	<b>On</b> Off	<b>On</b> Off	<b>On</b> Off	<b>On</b> Off	<b>On</b> Off

## Trunk data

	<b>Pulse</b> Tone	<b>Pulse</b> Tone	<b>Pulse</b> Tone	<b>Pulse</b> Tone	<b>Pulse</b> Tone	<b>Pulse</b> Tone
Dialing mode						
Trunk mode*	<b>Unsupervised</b> Supervised	<b>Unsupervised</b> Supervised	<b>Unsupervised</b> Supervised	<b>Unsupervised</b> Supervised	<b>Unsupervised</b> Supervised	<b>Unsupervised</b> Supervised
Full autohold	<b>On</b> <b>Off</b>	<b>On</b> <b>Off</b>	<b>On</b> <b>Off</b>	<b>On</b> <b>Off</b>	<b>On</b> <b>Off</b>	<b>On</b> <b>Off</b>

## Abilities and Call Services

Line filter	<b>03</b>	<b>03</b>	<b>03</b>	<b>03</b>	<b>03</b>	<b>03</b>
Auto call information set	<b>None</b> 21 DN: _____	<b>None</b> 21 DN: _____	<b>None</b> 21 DN: _____	<b>None</b> 21 DN: _____	<b>None</b> 21 DN: _____	<b>None</b> 21 DN: _____
Voice Message Center #	<b>1</b> 2 3 4 5 None	<b>1</b> 2 3 4 5 None	<b>1</b> 2 3 4 5 None	<b>1</b> 2 3 4 5 None	<b>1</b> 2 3 4 5 None	<b>1</b> 2 3 4 5 None

\* The Supervised option is only available with the Disconnect supervision compatible KSU.

### Service mode options

	Line __	Line __	Line __	Line __	Line __	Line __
Service control set (21)						
Mode 1 Ringing telephone	_____	_____	_____	_____	_____	_____
	_____	_____	_____	_____	_____	_____
	_____	_____	_____	_____	_____	_____
	_____	_____	_____	_____	_____	_____
	_____	_____	_____	_____	_____	_____
	_____	_____	_____	_____	_____	_____
	_____	_____	_____	_____	_____	_____
	_____	_____	_____	_____	_____	_____
	_____	_____	_____	_____	_____	_____
	_____	_____	_____	_____	_____	_____
	_____	_____	_____	_____	_____	_____
Auxiliary ringer	On Off	On Off	On Off	On Off	On Off	On Off
Mode 2 Ringing telephone	_____	_____	_____	_____	_____	_____
	_____	_____	_____	_____	_____	_____
	_____	_____	_____	_____	_____	_____
	_____	_____	_____	_____	_____	_____
	_____	_____	_____	_____	_____	_____
	_____	_____	_____	_____	_____	_____
	_____	_____	_____	_____	_____	_____
	_____	_____	_____	_____	_____	_____
	_____	_____	_____	_____	_____	_____
	_____	_____	_____	_____	_____	_____
	_____	_____	_____	_____	_____	_____
	_____	_____	_____	_____	_____	_____
	_____	_____	_____	_____	_____	_____
	_____	_____	_____	_____	_____	_____
Auxiliary ringer	On Off	On Off	On Off	On Off	On Off	On Off
Mode 3 Ringing telephone	_____	_____	_____	_____	_____	_____
	_____	_____	_____	_____	_____	_____
	_____	_____	_____	_____	_____	_____
	_____	_____	_____	_____	_____	_____
	_____	_____	_____	_____	_____	_____
	_____	_____	_____	_____	_____	_____
	_____	_____	_____	_____	_____	_____
	_____	_____	_____	_____	_____	_____
	_____	_____	_____	_____	_____	_____
	_____	_____	_____	_____	_____	_____
	_____	_____	_____	_____	_____	_____
	_____	_____	_____	_____	_____	_____
	_____	_____	_____	_____	_____	_____
	_____	_____	_____	_____	_____	_____
	_____	_____	_____	_____	_____	_____
	_____	_____	_____	_____	_____	_____
	_____	_____	_____	_____	_____	_____
	_____	_____	_____	_____	_____	_____
	_____	_____	_____	_____	_____	_____
	_____	_____	_____	_____	_____	_____
	_____	_____	_____	_____	_____	_____
Auxiliary ringer	On Off	On Off	On Off	On Off	On Off	On Off

# Set programming

## Line access

Set DN										
Set type										
Line assignment	Line _____	Ring <b>On</b> Off	Line _____	Ring <b>On</b> Off	Line _____	Ring <b>On</b> Off	Line _____	Ring <b>On</b> Off	Line _____	Ring <b>On</b> Off
		Off		Off		Off		Off		Off
		<b>On</b> Off		<b>On</b> Off		<b>On</b> Off		<b>On</b> Off		<b>On</b> Off
		Off		Off		Off		Off		Off
		<b>On</b> Off		<b>On</b> Off		<b>On</b> Off		<b>On</b> Off		<b>On</b> Off
		Off		Off		Off		Off		Off
		<b>On</b> Off		<b>On</b> Off		<b>On</b> Off		<b>On</b> Off		<b>On</b> Off
		Off		Off		Off		Off		Off
		<b>On</b> Off		<b>On</b> Off		<b>On</b> Off		<b>On</b> Off		<b>On</b> Off
		Off		Off		Off		Off		Off
		<b>On</b> Off		<b>On</b> Off		<b>On</b> Off		<b>On</b> Off		<b>On</b> Off
		Off		Off		Off		Off		Off
Set/Line Filters	Line _____	Filter _____	Line _____	Filter _____	Line _____	Filter _____	Line _____	Filter _____	Line _____	Filter _____
Line pool access	A B C		A B C		A B C		A B C		A B C	
Answer DN's	DN _____	Ring <b>On</b> Off	DN _____	Ring <b>On</b> Off	DN _____	Ring <b>On</b> Off	DN _____	Ring <b>On</b> Off	DN _____	Ring <b>On</b> Off
		Off		Off		Off		Off		Off
		<b>On</b> Off		<b>On</b> Off		<b>On</b> Off		<b>On</b> Off		<b>On</b> Off
		Off		Off		Off		Off		Off
		<b>On</b> Off		<b>On</b> Off		<b>On</b> Off		<b>On</b> Off		<b>On</b> Off
		Off		Off		Off		Off		Off
		<b>On</b> Off		<b>On</b> Off		<b>On</b> Off		<b>On</b> Off		<b>On</b> Off
		Off		Off		Off		Off		Off
Number of intercom lines	0 1 2		0 1 2		0 1 2		0 1 2		0 1 2	
Prime line	<b>None</b> Intcm		<b>None</b> Intcm		<b>None</b> Intcm		<b>None</b> Intcm		<b>None</b> Intcm	
	Line:___ Pool:___		Line:___ Pool:___		Line:___ Pool:___		Line:___ Pool:___		Line:___ Pool:___	

## Set abilities

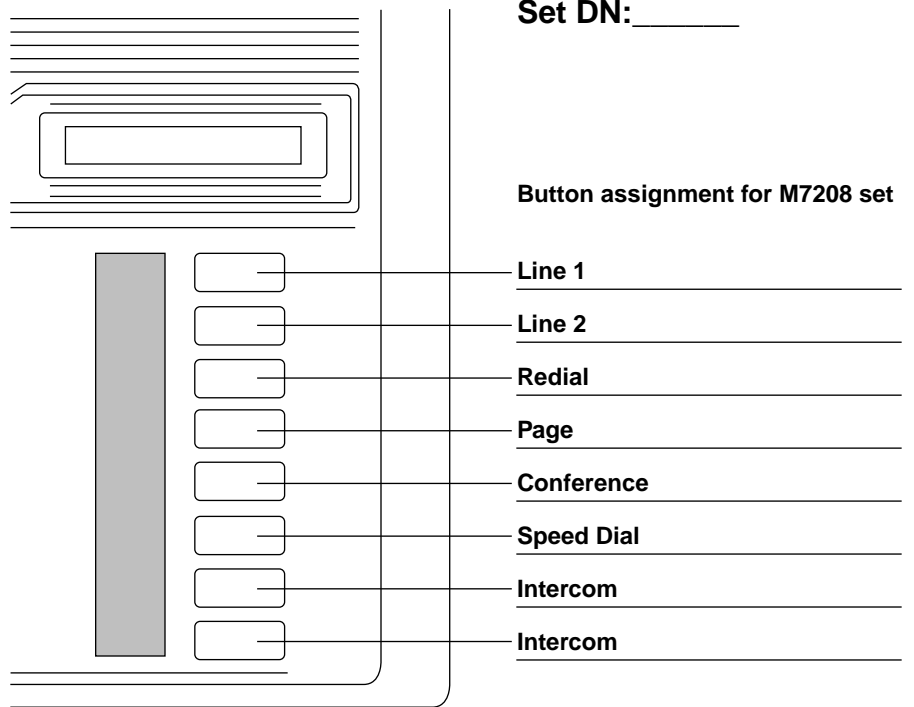
Set DN					
Full handsfree	On Off	On Off	On Off	On Off	On Off
Auto handsfree	On Off	On Off	On Off	On Off	On Off
Priority call	On Off	On Off	On Off	On Off	On Off
Handsfree answerback	On Off	On Off	On Off	On Off	On Off
Auxiliary ringer	On Off	On Off	On Off	On Off	On Off
Allow Redirection*	On Off	On Off	On Off	On Off	On Off
Redirect ring*	On Off	On Off	On Off	On Off	On Off
Receive tones	On Off	On Off	On Off	On Off	On Off
Pickup group	None 1 2 3 4	None 1 2 3 4	None 1 2 3 4	None 1 2 3 4	None 1 2 3 4
Page	On Off	On Off	On Off	On Off	On Off
Page zone	None 1 2 3	None 1 2 3	None 1 2 3	None 1 2 3	None 1 2 3
Set lock	None Full Partial	None Full Partial	None Full Partial	None Full Partial	None Full Partial
Call forward on busy to	None DN ____	None DN ____	None DN ____	None DN ____	None DN ____
Forward no answer to Forward to delay	None DN ____ 2 3 4 6 10	None DN ____ 2 3 4 6 10	None DN ____ 2 3 4 6 10	None DN ____ 2 3 4 6 10	None DN ____ 2 3 4 6 10
Set filter	02	02	02	02	02
Direct dial set	1 None	1 None	1 None	1 None	1 None
Hotline type	None Internal External	None Internal External	None Internal External	None Internal External	None Internal External
Internal hotline DN	None DN ____	None DN ____	None DN ____	None DN ____	None DN ____
External hotline line					
Hotline external digits					

\* These options are only available with the Disconnect supervision compatible KSU.



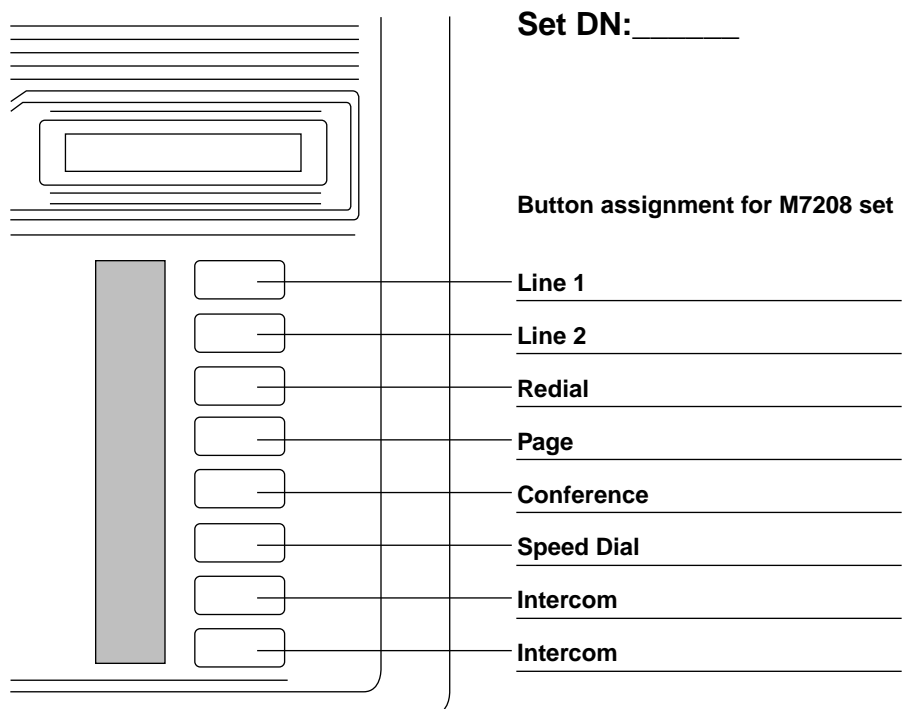
## Buttons and Status - M7208 set

Some of the default button assignments shown cannot be changed from Buttons and status - they must be changed from other Set programming areas. For example, to change the first button to Line 3 go to Set programming (Line access).



Pre-dial mode	Automatic dial Pre-dial <b>Standard dial</b>
Do not disturb	On <b>Off</b>
Background music	On <b>Off</b>
Ring volume	0   1   2 <b>3</b> 4   5   6   7
Ring type	<b>1</b> 2   3   4
Contrast	1   2   3 <b>4</b> 5   6   7   8 9
Language	<b>English</b> French Spanish

**Note:** Depending on the KSU software, French or Spanish is the alternate language.



Pre-dial mode	Automatic dial Pre-dial <b>Standard dial</b>
Do not disturb	On <b>Off</b>
Background music	On <b>Off</b>
Ring volume	0   1   2 <b>3</b> 4   5   6   7
Ring type	<b>1</b> 2   3   4
Contrast	1   2   3 <b>4</b> 5   6   7   8 9
Language	<b>English</b> French Spanish

**Note:** Depending on the KSU software, French or Spanish is the alternate language.

## Buttons and Status - M7310 set

Some of the default button assignments shown cannot be changed from Buttons and status - they must be changed from other Set programming areas. For example, to change the first button to Line 3 go to Set programming (Line access).

1 \_\_\_\_\_

2 \_\_\_\_\_

3 \_\_\_\_\_

4 \_\_\_\_\_

5 \_\_\_\_\_

6 \_\_\_\_\_

7 \_\_\_\_\_

8 \_\_\_\_\_

9 \_\_\_\_\_

10 \_\_\_\_\_

11 \_\_\_\_\_

12 \_\_\_\_\_

13 \_\_\_\_\_

14 \_\_\_\_\_

15 \_\_\_\_\_

16 \_\_\_\_\_

17 \_\_\_\_\_

18 \_\_\_\_\_

19 \_\_\_\_\_

20 \_\_\_\_\_

**Set DN:** \_\_\_\_\_

13	14	15
1	2	3
16	17	18
4	5	6
19	20	21
7	8	9
22	23	24
10	11	12

⚠

**Line 1**

**Line 2**

**Call Fwd**

**Grp Pickup**

**Page**

Pre-dial mode	Automatic dial Pre-dial <b>Standard dial</b>
Do not disturb	On <b>Off</b>
Background music	On <b>Off</b>
Ring volume	0 1 2 <b>3</b> 4 5 6 7
Ring type	<b>1</b> 2 3 4
Contrast	1 2 3 <b>4</b> 5 6 7 8 9
Language	<b>Eng</b> Fr Sp

**Note:** Depending on the KSU software, French or Spanish is the alternate language.

21 \_\_\_\_\_

22 \_\_\_\_\_

23 \_\_\_\_\_

24 \_\_\_\_\_

**Conference** \_\_\_\_\_

**Redial** \_\_\_\_\_

**Voice Call** \_\_\_\_\_

**Intercom** \_\_\_\_\_

**Intercom** \_\_\_\_\_

1 \_\_\_\_\_

2 \_\_\_\_\_

3 \_\_\_\_\_

4 \_\_\_\_\_

5 \_\_\_\_\_

6 \_\_\_\_\_

7 \_\_\_\_\_

8 \_\_\_\_\_

9 \_\_\_\_\_

10 \_\_\_\_\_

11 \_\_\_\_\_

12 \_\_\_\_\_

13 \_\_\_\_\_

14 \_\_\_\_\_

15 \_\_\_\_\_

16 \_\_\_\_\_

17 \_\_\_\_\_

18 \_\_\_\_\_

19 \_\_\_\_\_

20 \_\_\_\_\_

**Set DN:** \_\_\_\_\_

13	14	15
1	2	3
16	17	18
4	5	6
19	20	21
7	8	9
22	23	24
10	11	12

⚠

**Line 1**

**Line 2**

**Call Fwd**

**Grp Pickup**

**Page**

Pre-dial mode	Automatic dial Pre-dial <b>Standard dial</b>
Do not disturb	On <b>Off</b>
Background music	On <b>Off</b>
Ring volume	0 1 2 <b>3</b> 4 5 6 7
Ring type	<b>1</b> 2 3 4
Contrast	1 2 3 <b>4</b> 5 6 7 8 9
Language	<b>Eng</b> Fr Sp

**Note:** Depending on the KSU software, French or Spanish is the alternate language.

21 \_\_\_\_\_

22 \_\_\_\_\_

23 \_\_\_\_\_

24 \_\_\_\_\_

**Conference** \_\_\_\_\_

**Redial** \_\_\_\_\_

**Voice Call** \_\_\_\_\_

**Intercom** \_\_\_\_\_

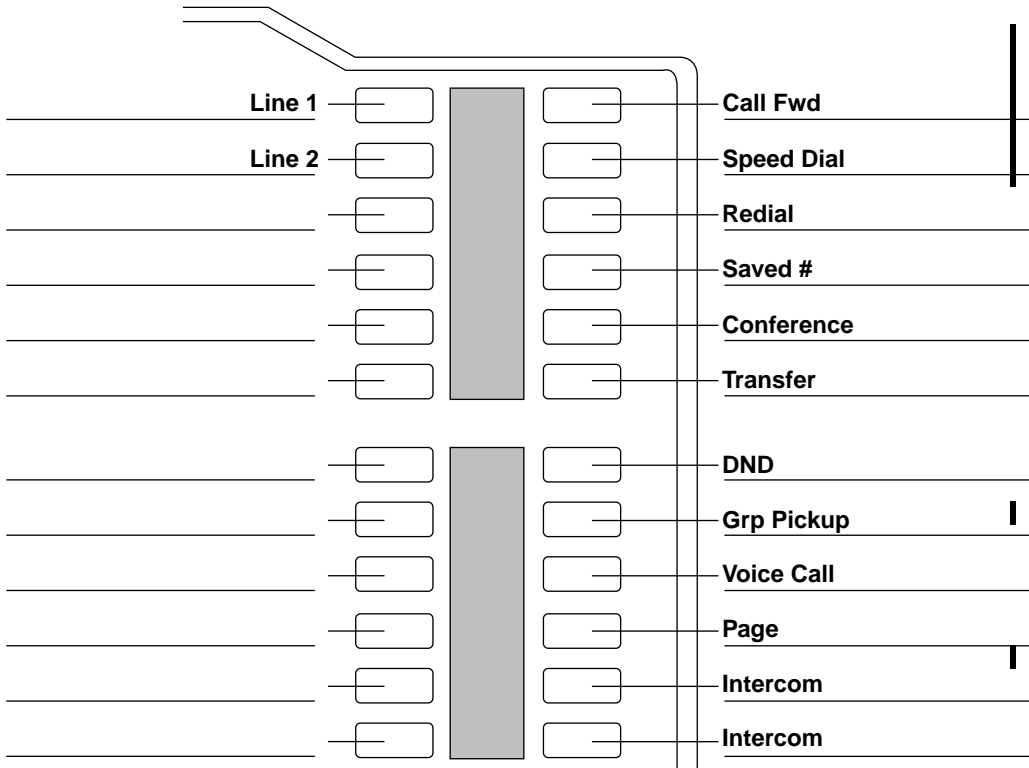
**Intercom** \_\_\_\_\_

**Note:** Dual memory buttons (1 through 24) can be programmed with features, or internal and external autohold numbers.

## Buttons and Status - M7324 set

Some of the default button assignments shown cannot be changed from Buttons and status - they must be changed from other Set programming areas. For example, to change the first button to Line 3 go to Set programming (Line access).

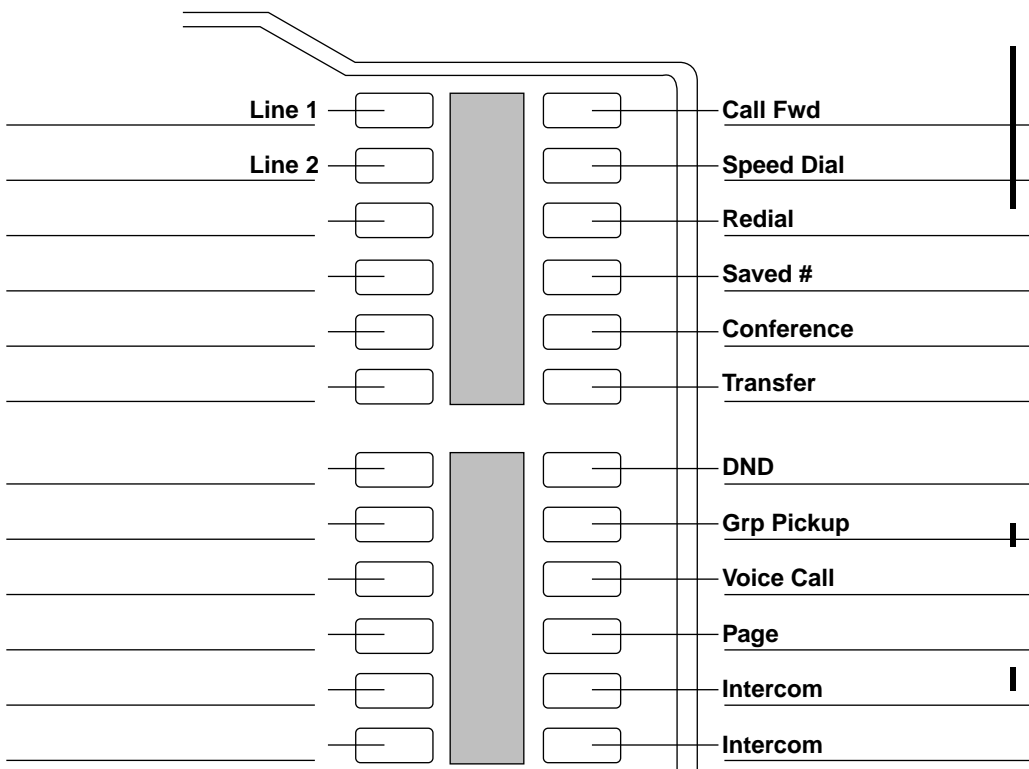
Set DN: \_\_\_\_\_



Pre-dial mode	Automatic dial Pre-dial <b>Standard dial</b>
Do not disturb	On <b>Off</b>
Background music	On <b>Off</b>
Ring volume	0 1 2 <b>3</b> 4 5 6 7
Ring type	<b>1</b> 2 3 4
Contrast	1 2 3 <b>4</b> 5 6 7 8 9
Language	<b>English</b> French Spanish

**Note:** Depending on the KSU software, French or Spanish is the alternate language.

Set DN: \_\_\_\_\_

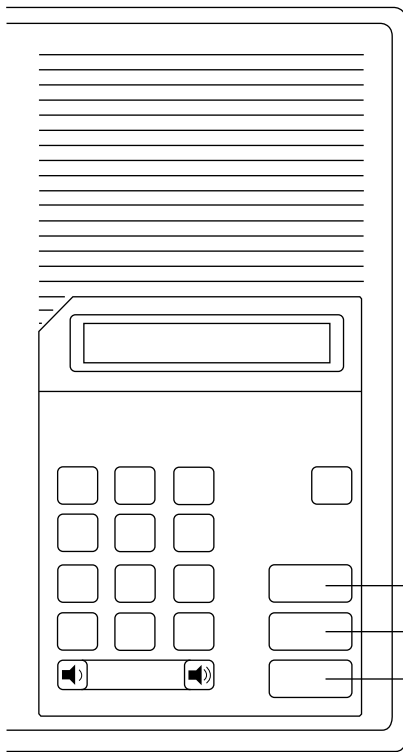


Pre-dial mode	Automatic dial Pre-dial <b>Standard dial</b>
Do not disturb	On <b>Off</b>
Background music	On <b>Off</b>
Ring volume	0 1 2 <b>3</b> 4 5 6 7
Ring type	<b>1</b> 2 3 4
Contrast	1 2 3 <b>4</b> 5 6 7 8 9
Language	<b>English</b> French Spanish

**Note:** Depending on the KSU software, French or Spanish is the alternate language.

## Buttons and Status - M7100 set

Some of the default button assignments shown cannot be changed from Buttons and status - they must be changed from other Set programming areas. For example to change the first button to Line 3 go to Set programming (Line access).



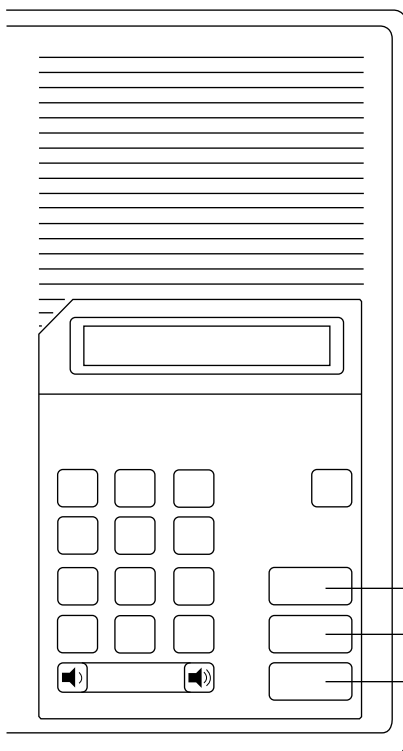
Set DN: \_\_\_\_\_

Pre-dial mode	Automatic dial	Pre-dial	Standard dial
Do not disturb	On	<b>Off</b>	
Background music	On	<b>Off</b>	
Ring volume	0	1	2 3 4 5 6 7
Ring type	1	2	3 4
Contrast	1	2	3 4 5 6 7 8 9
Language	<b>English</b>	French	Spanish

**Note:** Depending on the KSU software, French or Spanish is the alternate language.

### Button assignment for M7100 set

- Redial
- Feature
- Hold



Set DN: \_\_\_\_\_

Pre-dial mode	Automatic dial	Pre-dial	Standard dial
Do not disturb	On	<b>Off</b>	
Background music	On	<b>Off</b>	
Ring volume	0	1	2 3 4 5 6 7
Ring type	1	2	3 4
Contrast	1	2	3 4 5 6 7 8 9
Language	<b>English</b>	French	Spanish

**Note:** Depending on the KSU software, French or Spanish is the alternate language.

### Button assignment for M7100 set

- Redial
- Feature
- Hold

### Buttons and Status - CAP

Buttons on a CAP (Central Answering Position) can be programmed with features, internal autodial numbers, or external autodial numbers. Each CAP has 48 programmable buttons.


**CAP #:** \_\_\_\_\_ (each CAP has a unique identity number)      **On DN #:** \_\_\_\_\_  
Write in what feature, internal or external autodial number, or line is programmed onto each button (write directly onto the picture of the CAP shown above).


**CAP #:** \_\_\_\_\_ (each CAP has a unique identity number)      **On DN #:** \_\_\_\_\_  
Write in what feature, internal or external autodial number, or line is programmed onto each button (write directly onto the picture of the CAP shown above).

## Personal speed dials

Set DN: \_\_\_\_\_

Code	Optional Line	Phone number
#71:	_____	_____
#72:	_____	_____
#73:	_____	_____
#74:	_____	_____
#75:	_____	_____
#76:	_____	_____
#77:	_____	_____
#78:	_____	_____
#79:	_____	_____
#80:	_____	_____
#81:	_____	_____
#82:	_____	_____
#83:	_____	_____
#84:	_____	_____
#85:	_____	_____
#86:	_____	_____
#87:	_____	_____
#88:	_____	_____
#89:	_____	_____
#90:	_____	_____
#91:	_____	_____
#92:	_____	_____
#93:	_____	_____
#94:	_____	_____

Set DN: \_\_\_\_\_

Code	Optional Line	Phone number
#71:	_____	_____
#72:	_____	_____
#73:	_____	_____
#74:	_____	_____
#75:	_____	_____
#76:	_____	_____
#77:	_____	_____
#78:	_____	_____
#79:	_____	_____
#80:	_____	_____
#81:	_____	_____
#82:	_____	_____
#83:	_____	_____
#84:	_____	_____
#85:	_____	_____
#86:	_____	_____
#87:	_____	_____
#88:	_____	_____
#89:	_____	_____
#90:	_____	_____
#91:	_____	_____
#92:	_____	_____
#93:	_____	_____
#94:	_____	_____

Set DN: \_\_\_\_\_

Code	Optional Line	Phone number
#71:	_____	_____
#72:	_____	_____
#73:	_____	_____
#74:	_____	_____
#75:	_____	_____
#76:	_____	_____
#77:	_____	_____
#78:	_____	_____
#79:	_____	_____
#80:	_____	_____
#81:	_____	_____
#82:	_____	_____
#83:	_____	_____
#84:	_____	_____
#85:	_____	_____
#86:	_____	_____
#87:	_____	_____
#88:	_____	_____
#89:	_____	_____
#90:	_____	_____
#91:	_____	_____
#92:	_____	_____
#93:	_____	_____
#94:	_____	_____

Set DN: \_\_\_\_\_

Code	Optional Line	Phone number
#71:	_____	_____
#72:	_____	_____
#73:	_____	_____
#74:	_____	_____
#75:	_____	_____
#76:	_____	_____
#77:	_____	_____
#78:	_____	_____
#79:	_____	_____
#80:	_____	_____
#81:	_____	_____
#82:	_____	_____
#83:	_____	_____
#84:	_____	_____
#85:	_____	_____
#86:	_____	_____
#87:	_____	_____
#88:	_____	_____
#89:	_____	_____
#90:	_____	_____
#91:	_____	_____
#92:	_____	_____
#93:	_____	_____
#94:	_____	_____

The maximum length of each Personal speed dial number is 24 digits. **Note:** Pause (P) and Run/Stop (X) each use one digit, and Link/Flash (F), and Programmed Release (R) use two digits when programmed into a Personal speed dial number.

## Call services

Set DN										
Line assignment	Auto log calls _____ _____ _____ _____ _____	Ext. VMsg. _____ _____ _____ _____ _____	Auto log calls _____ _____ _____ _____ _____	Ext. VMsg. _____ _____ _____ _____ _____	Auto log calls _____ _____ _____ _____ _____	Ext. VMsg. _____ _____ _____ _____ _____	Auto log calls _____ _____ _____ _____ _____	Ext. VMsg. _____ _____ _____ _____ _____	Auto log calls _____ _____ _____ _____ _____	Ext. VMsg. _____ _____ _____ _____ _____
Logging option	Log all calls No autologging <b>No one answered</b> Unanswered by me	Log all calls No autologging <b>No one answered</b> Unanswered by me	Log all calls No autologging <b>No one answered</b> Unanswered by me	Log all calls No autologging <b>No one answered</b> Unanswered by me	Log all calls No autologging <b>No one answered</b> Unanswered by me	Log all calls No autologging <b>No one answered</b> Unanswered by me	Log all calls No autologging <b>No one answered</b> Unanswered by me	Log all calls No autologging <b>No one answered</b> Unanswered by me	Log all calls No autologging <b>No one answered</b> Unanswered by me	
First display	<b>Name</b> Number Line Name	<b>Name</b> Number Line Name	<b>Name</b> Number Line Name	<b>Name</b> Number Line Name	<b>Name</b> Number Line Name	<b>Name</b> Number Line Name	<b>Name</b> Number Line Name	<b>Name</b> Number Line Name	<b>Name</b> Number Line Name	
Log password										
Log space										
Auto bumping	<b>Yes</b> No	<b>Yes</b> No	<b>Yes</b> No	<b>Yes</b> No	<b>Yes</b> No	<b>Yes</b> No	<b>Yes</b> No	<b>Yes</b> No	<b>Yes</b> No	

Norstar is a trademark of Northern Telecom.  
 Microsoft is a registered trademark and Windows is a trademark of Microsoft Corporation.  
 This document is for use with Norstar Manager for Windows and Meridian Norstar Compact DR5.  
 P0740937 Issue 08  
 Printed in Canada