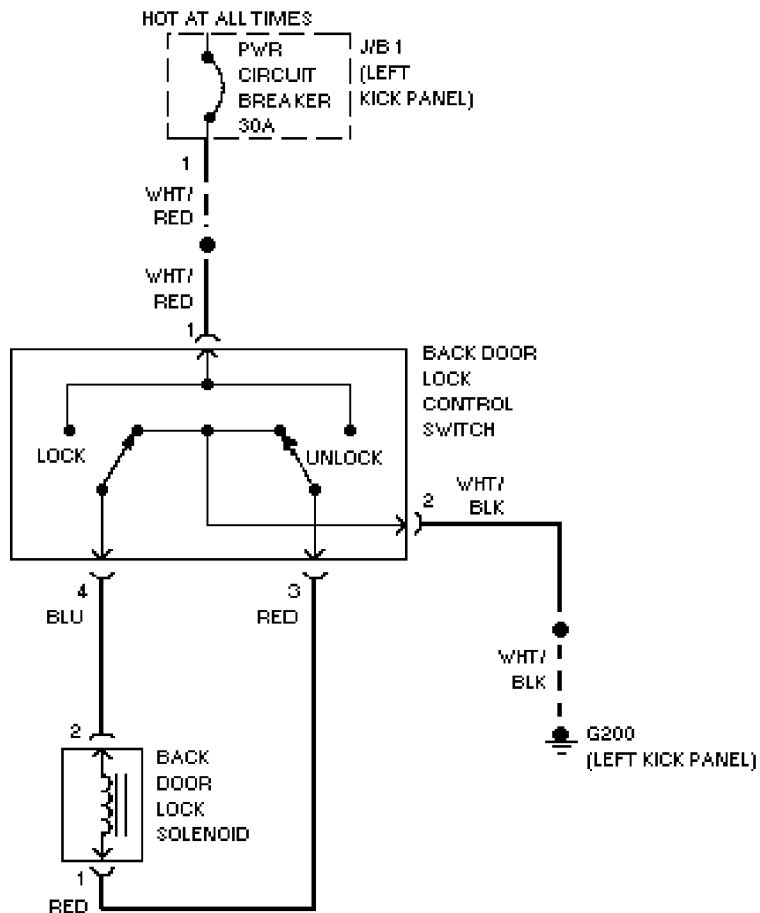


# SYSTEM WIRING DIAGRAMS

## Back Door Lock Circuit

1991 Toyota Corolla

cdr@wp.pl

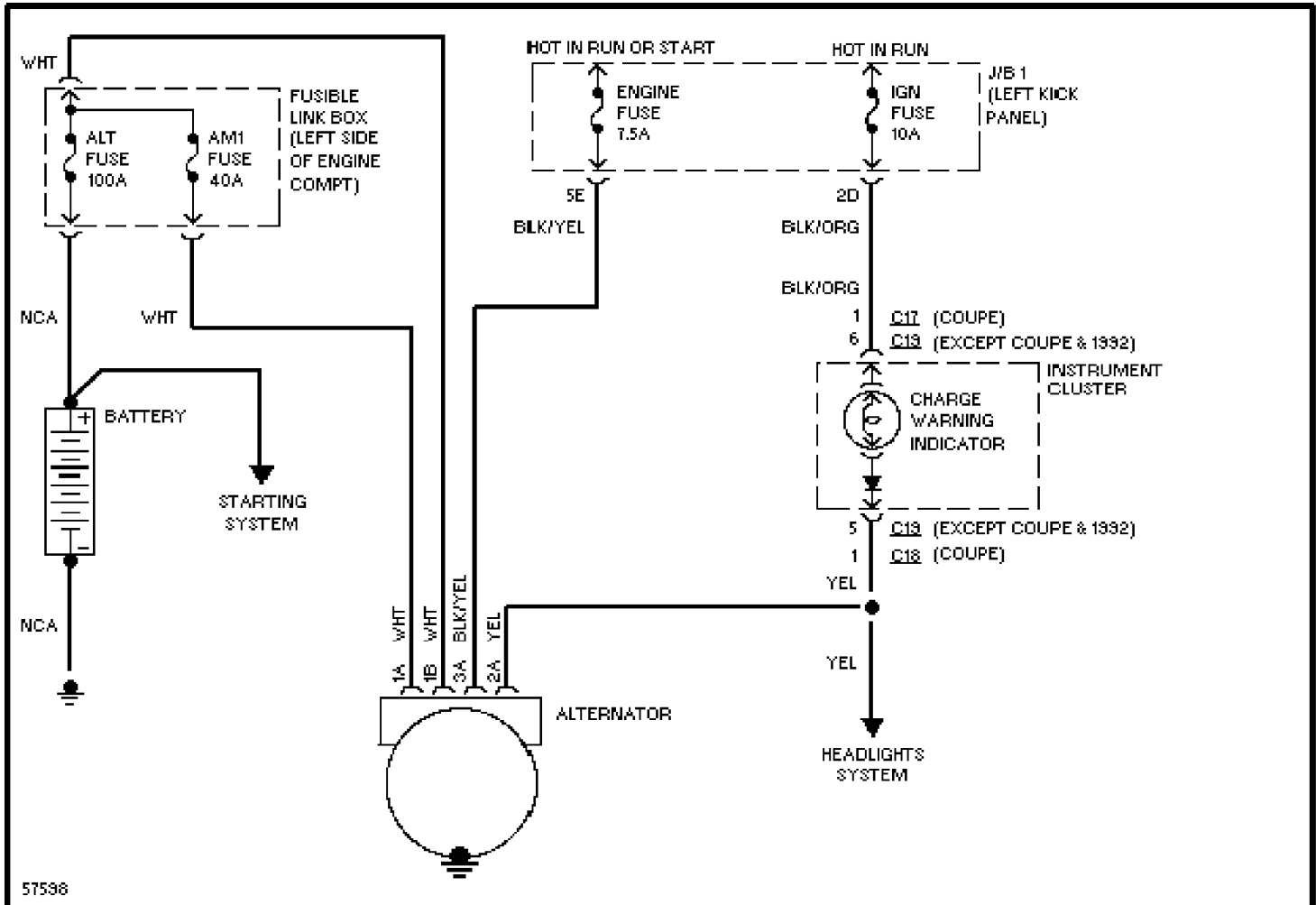




# SYSTEM WIRING DIAGRAMS

## Charging Circuit

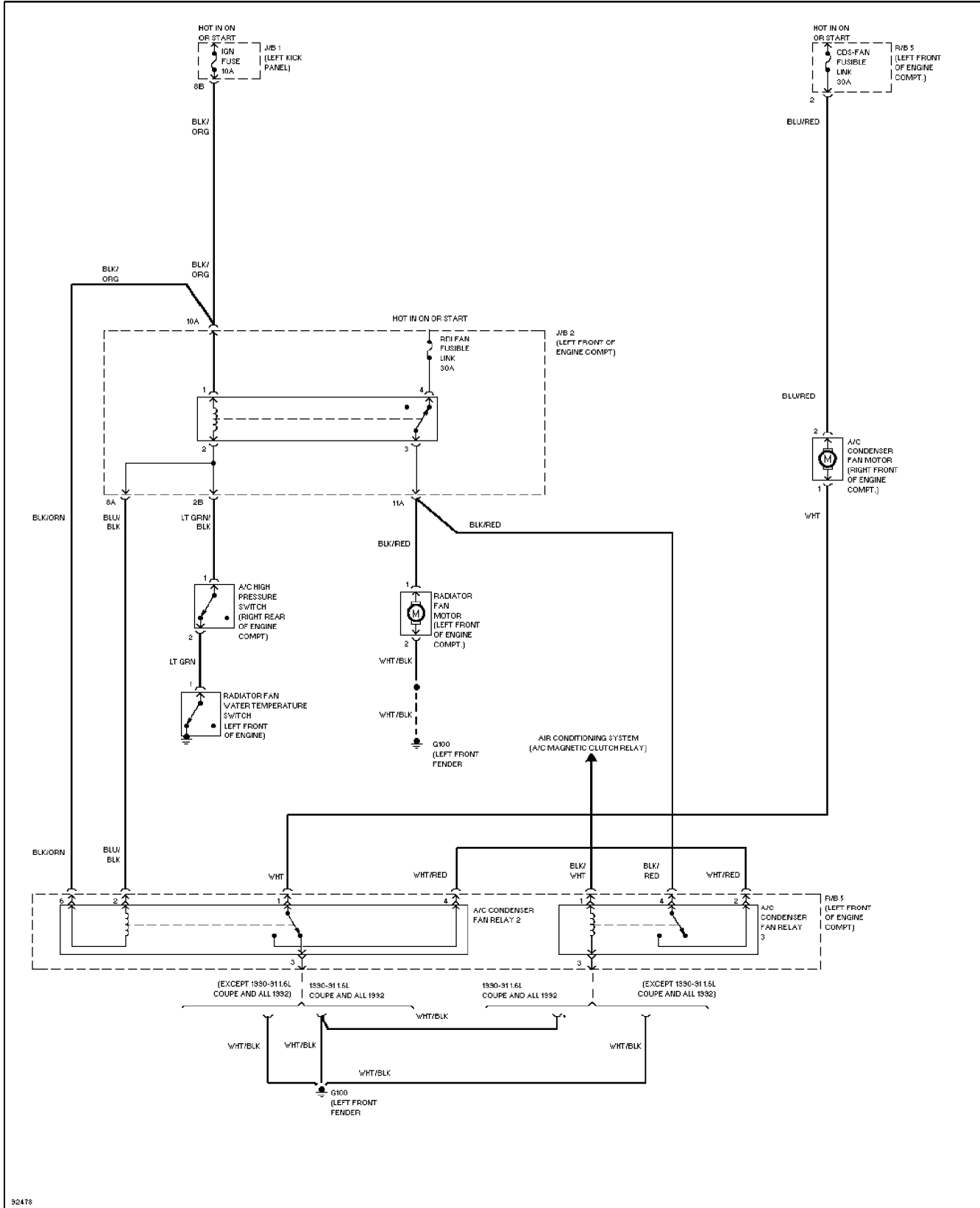
1991 Toyota Corolla



# SYSTEM WIRING DIAGRAMS

## Cooling Fan Circuit

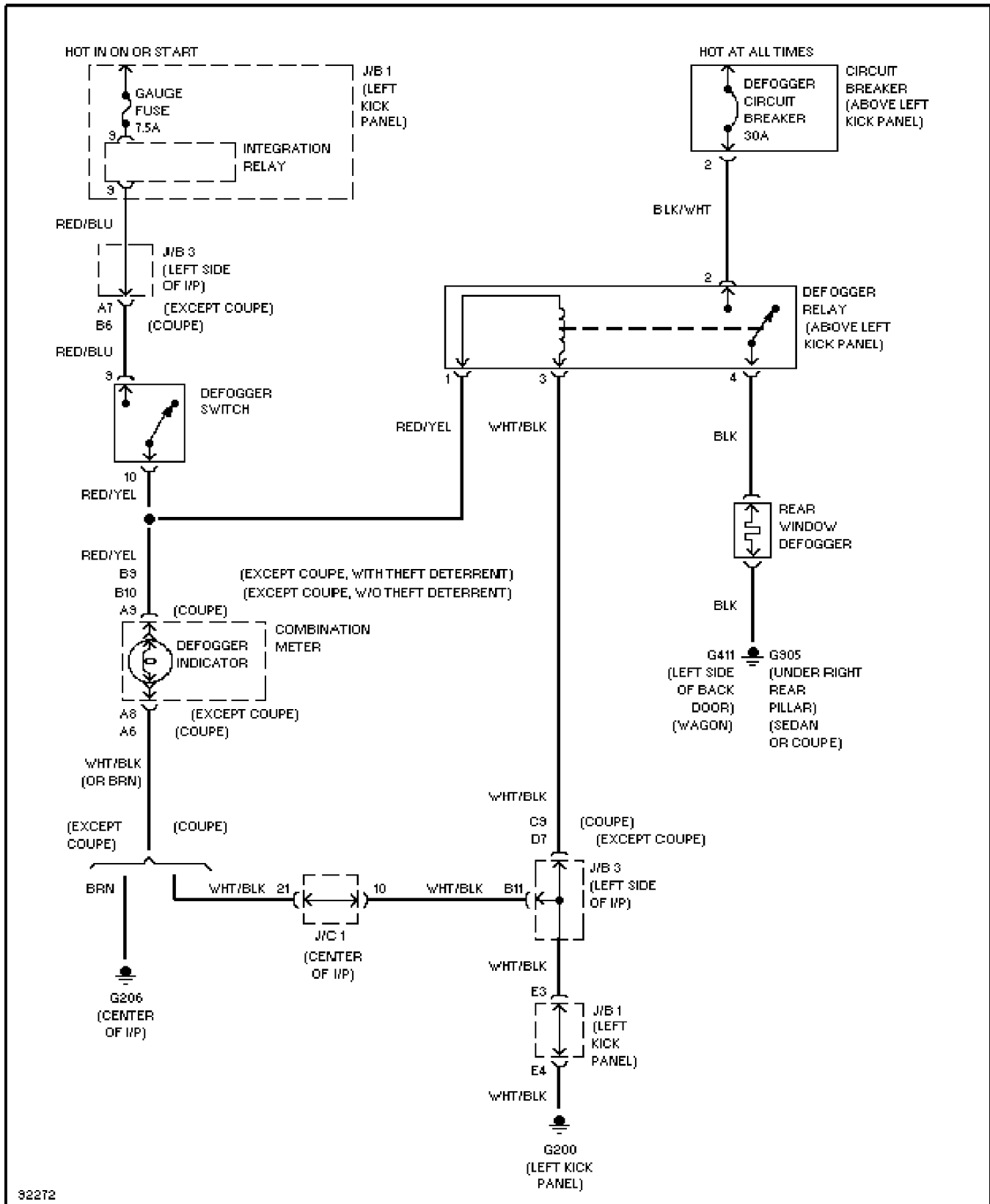
### 1991 Toyota Corolla



# SYSTEM WIRING DIAGRAMS

## Defogger Circuit

1991 Toyota Corolla

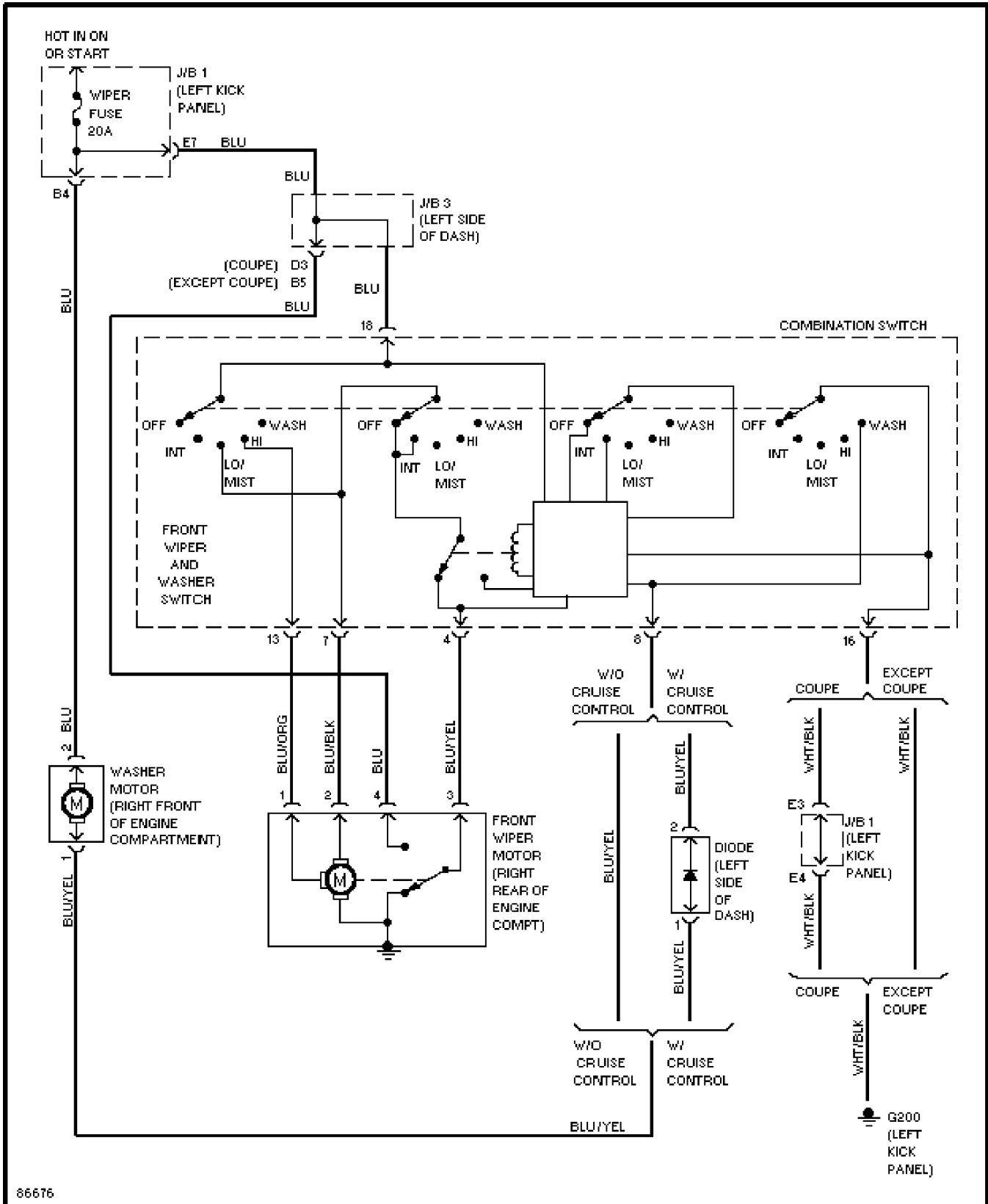




# SYSTEM WIRING DIAGRAMS

## Front Wiper/Washer Circuit

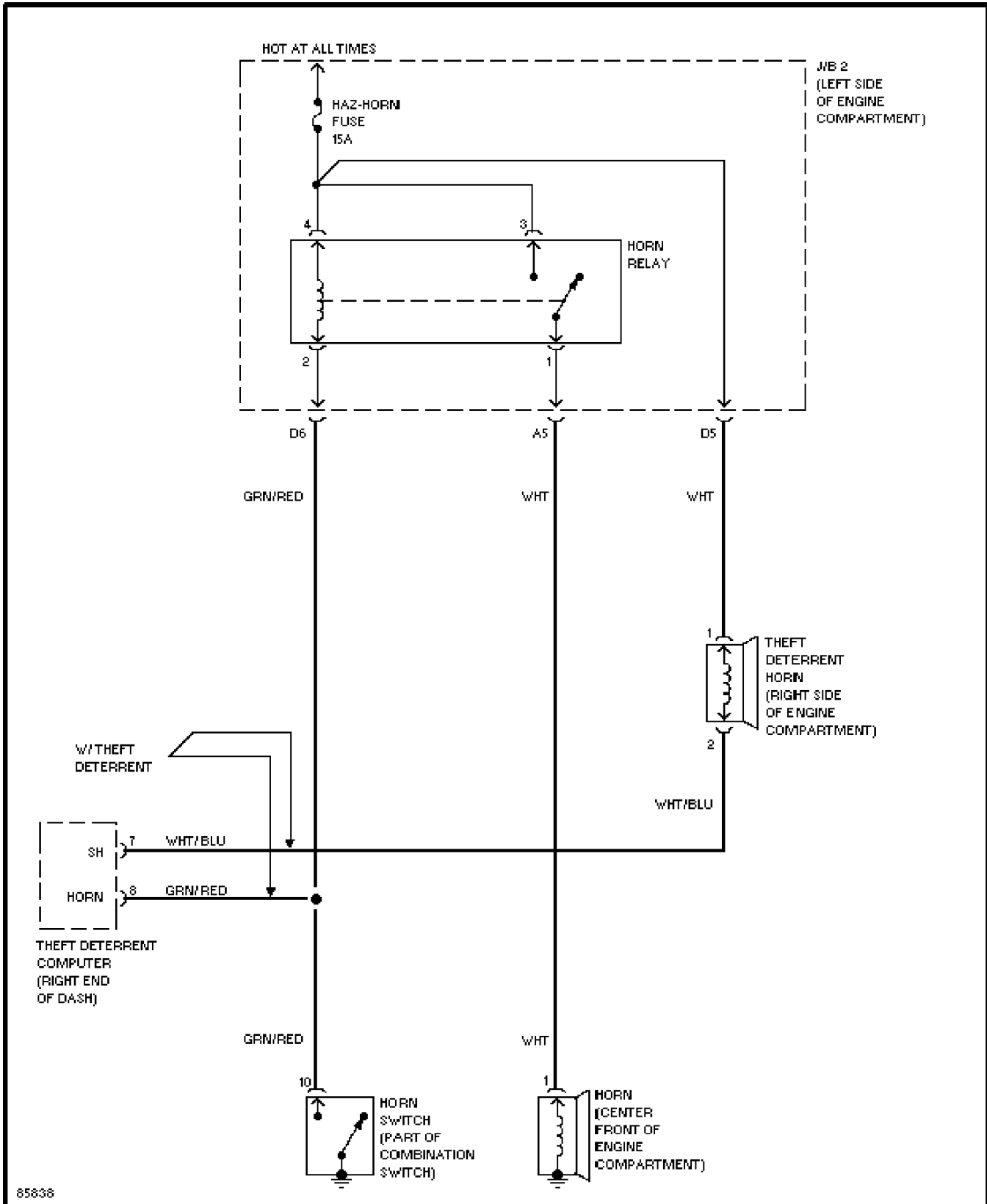
1991 Toyota Corolla



# SYSTEM WIRING DIAGRAMS

## Horn Circuit

1991 Toyota Corolla

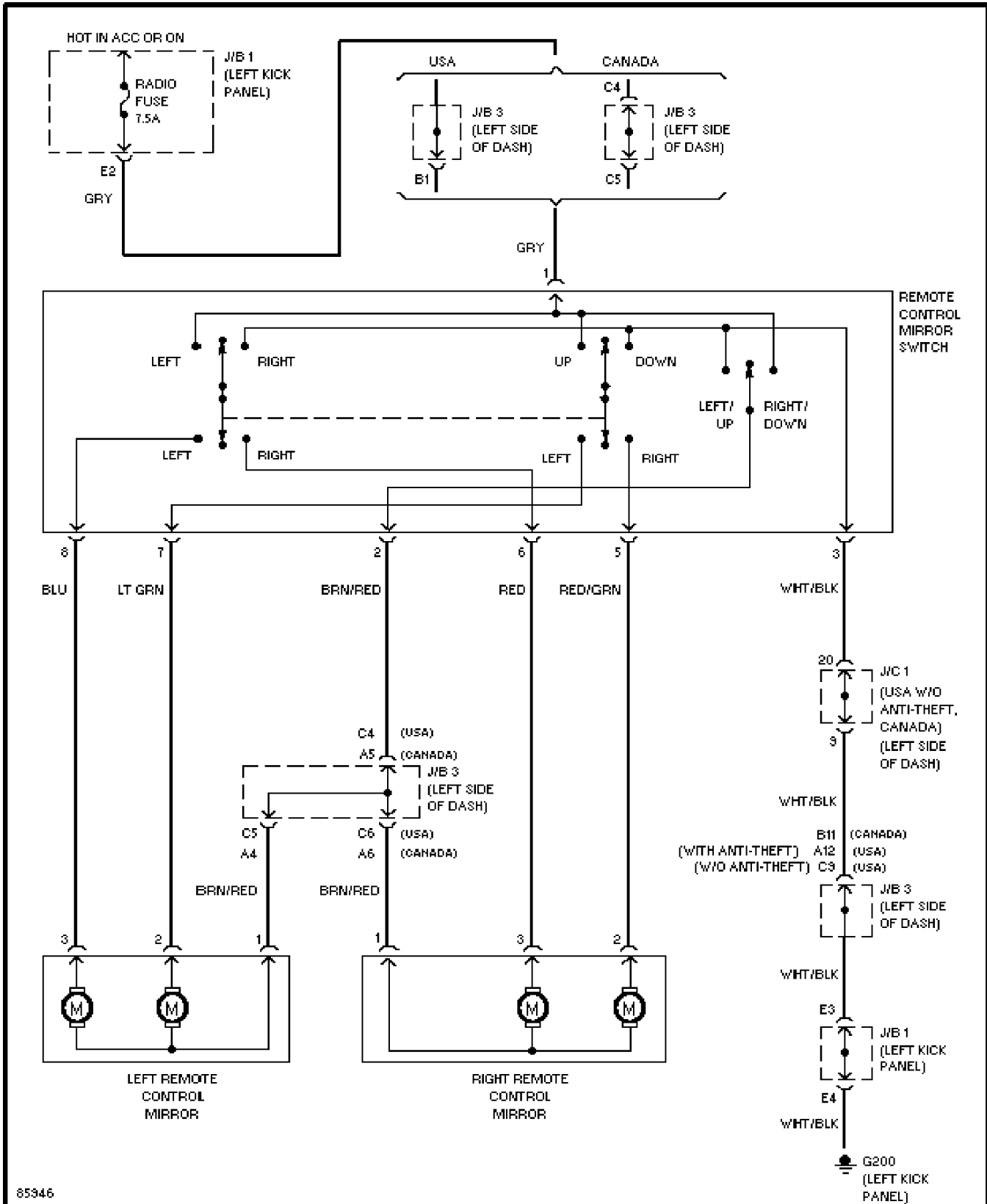




# SYSTEM WIRING DIAGRAMS

## Power Mirror Circuit

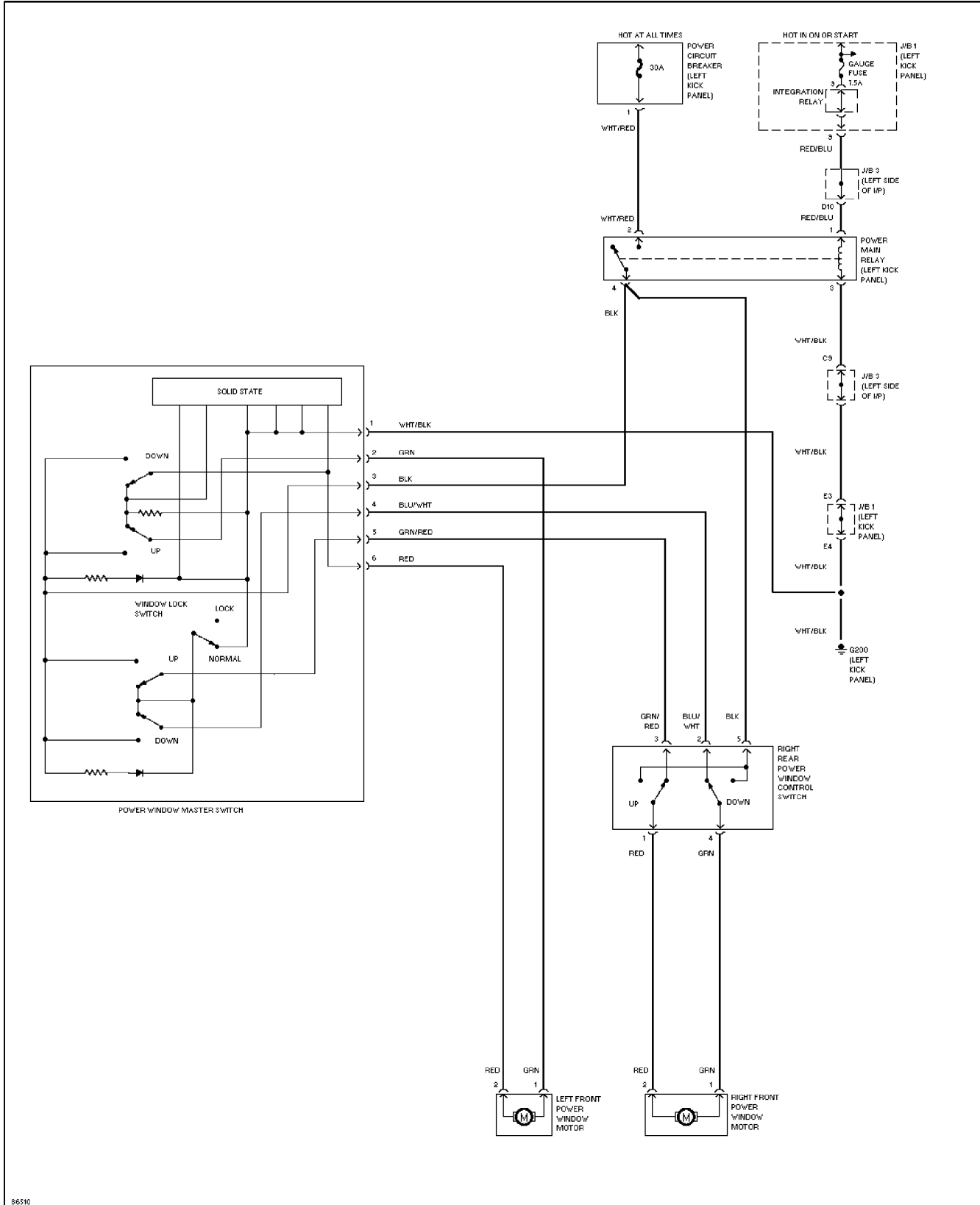
1991 Toyota Corolla



# SYSTEM WIRING DIAGRAMS

## Power Window Circuit, Coupe

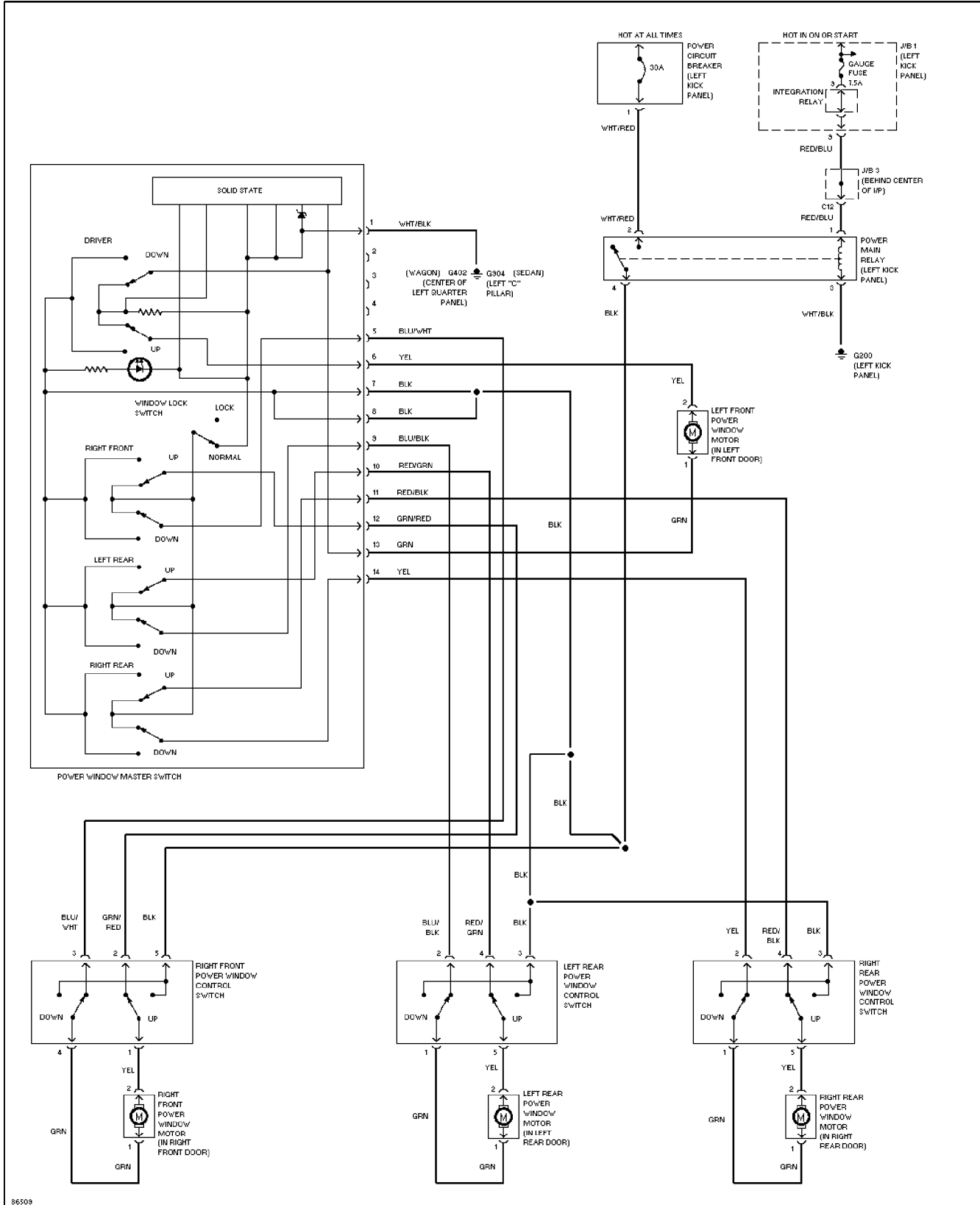
### 1991 Toyota Corolla



# SYSTEM WIRING DIAGRAMS

## Power Window Circuit, Except Coupe

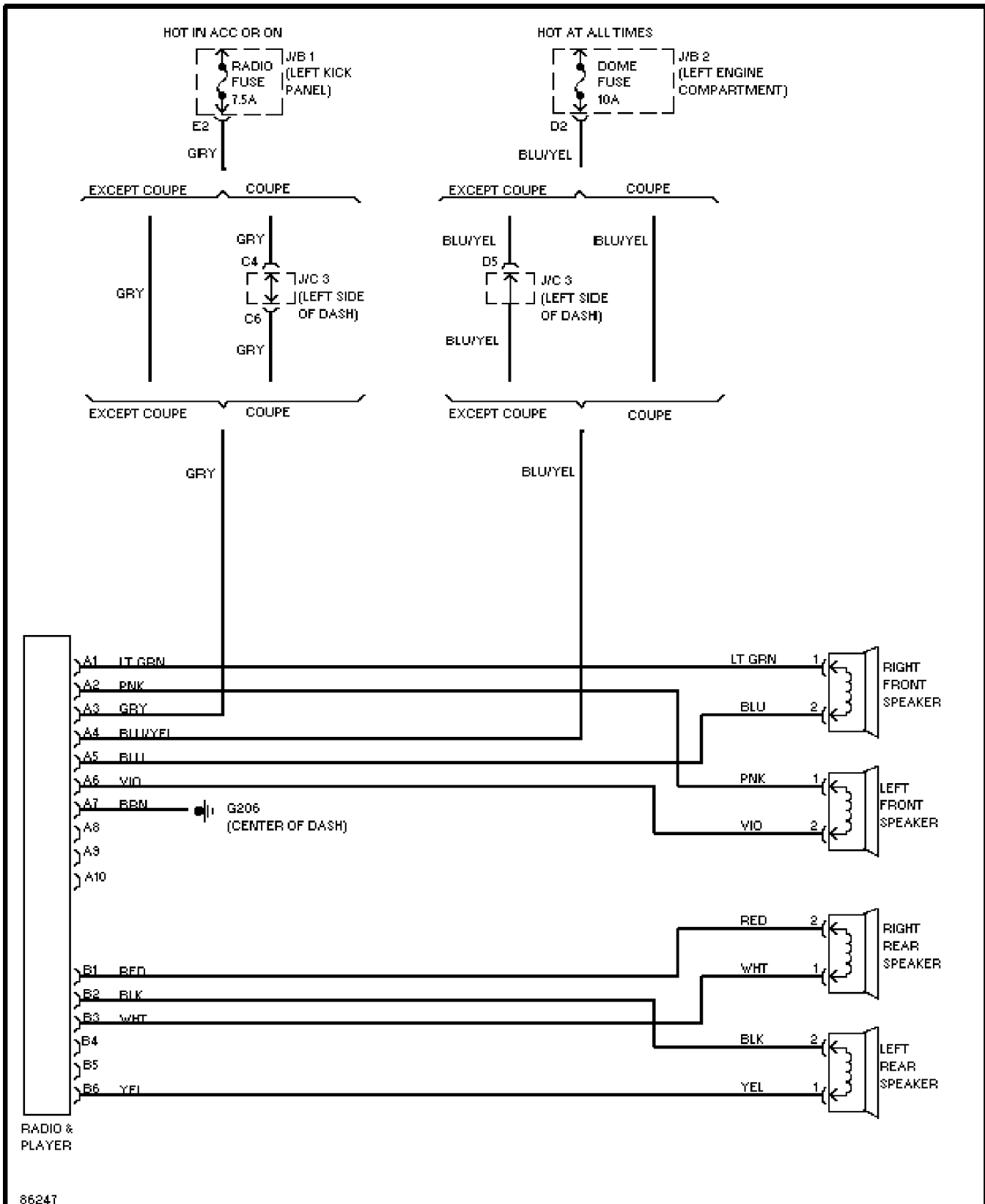
### 1991 Toyota Corolla



# SYSTEM WIRING DIAGRAMS

## Radio Circuits

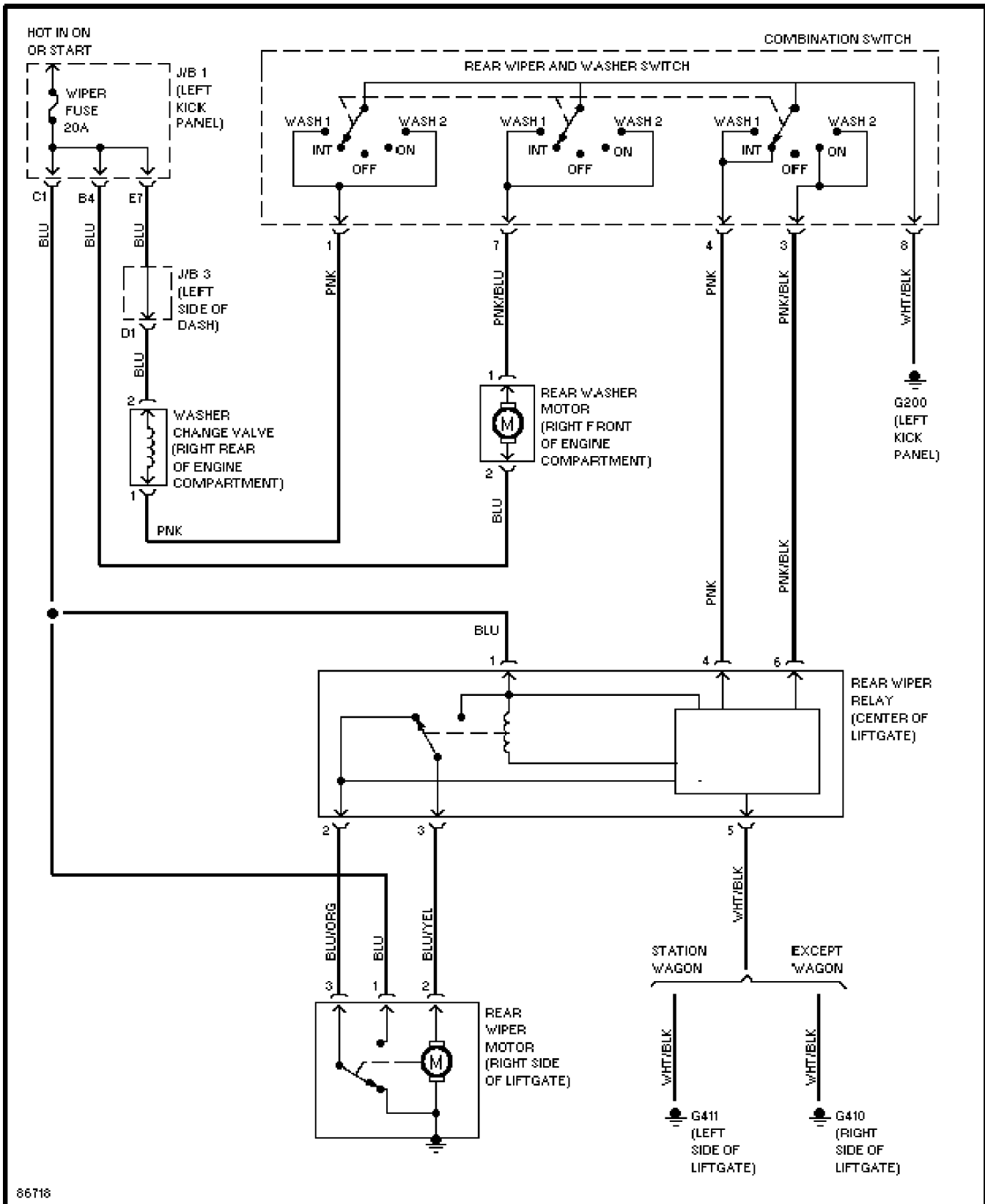
1991 Toyota Corolla



# SYSTEM WIRING DIAGRAMS

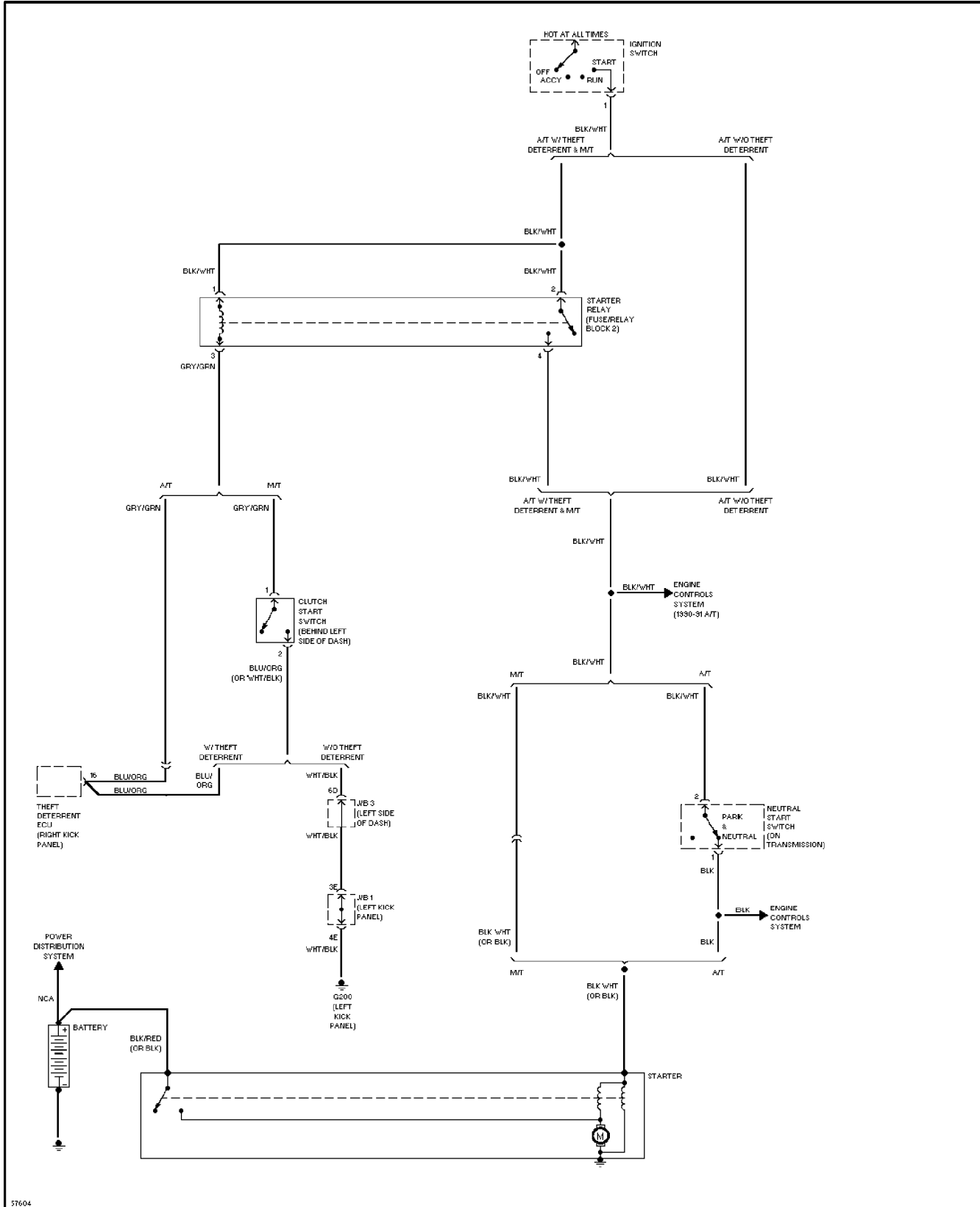
## Rear Wiper/Washer Circuit

1991 Toyota Corolla



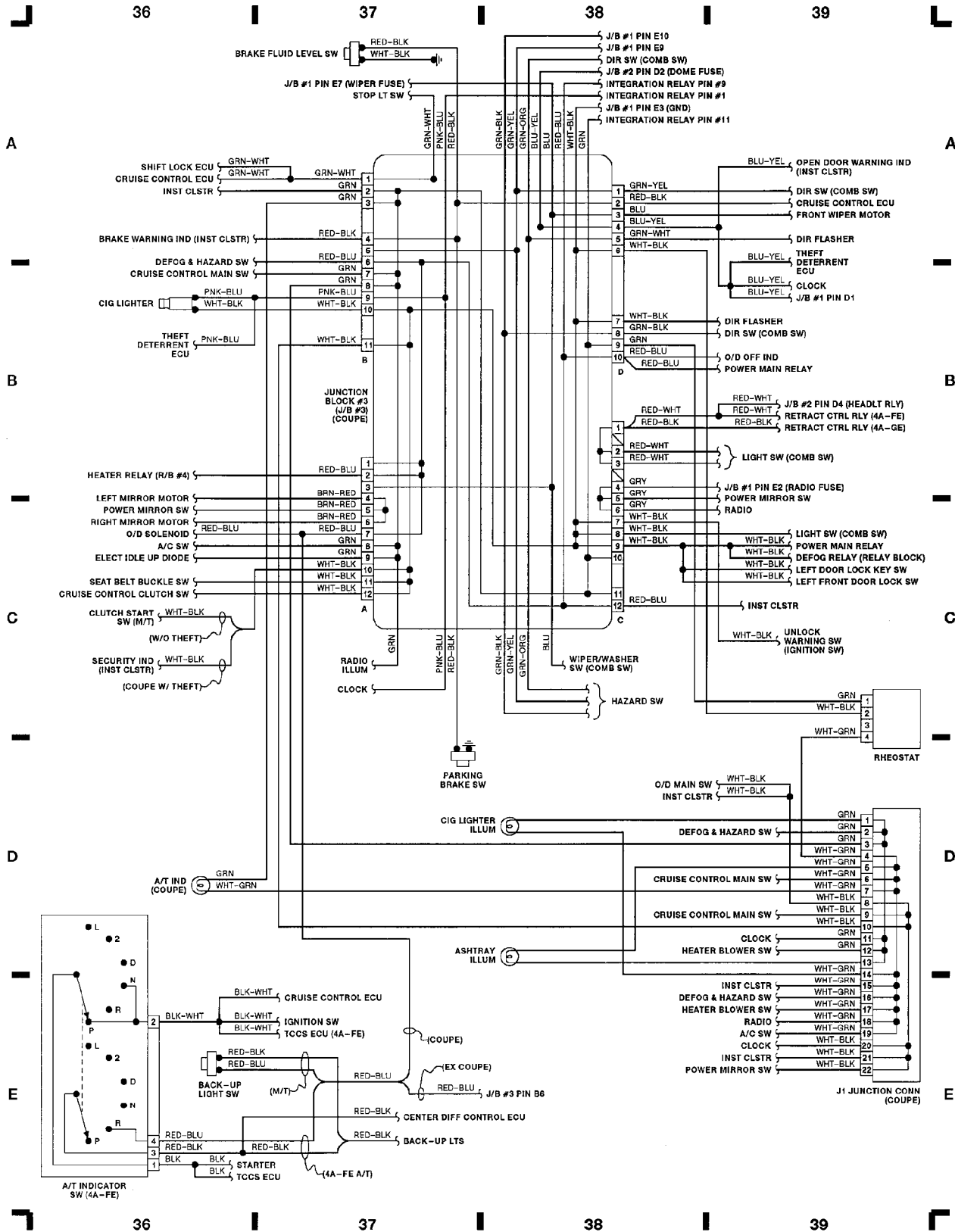
# SYSTEM WIRING DIAGRAMS

## Starting Circuit 1991 Toyota Corolla

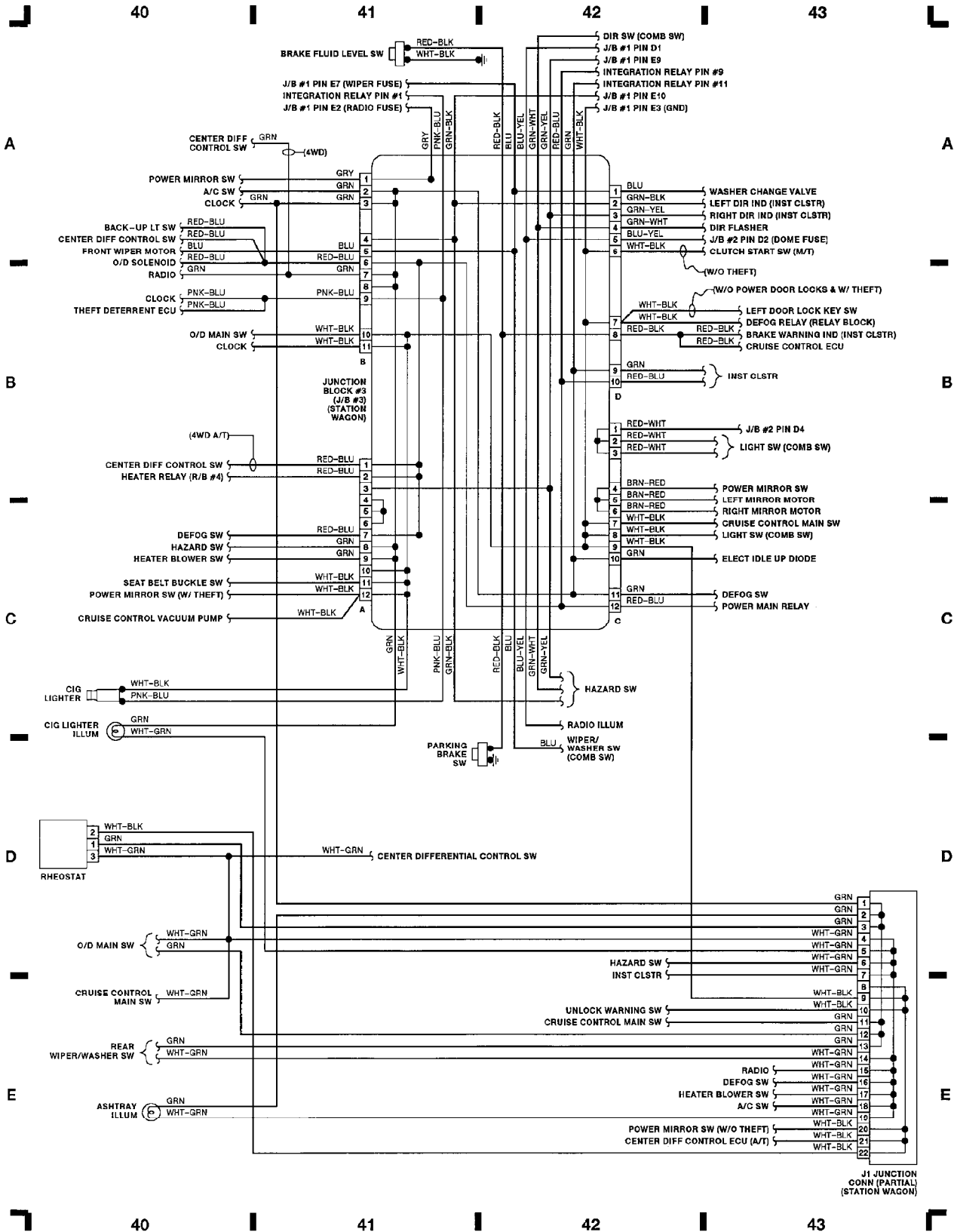


### WIRING DIAGRAMS

**Fig. 10: Junction Block #3 (Coupe), J1 Conn, A/T Ind (Grid 36-39)**  
1991 Toyota Corolla



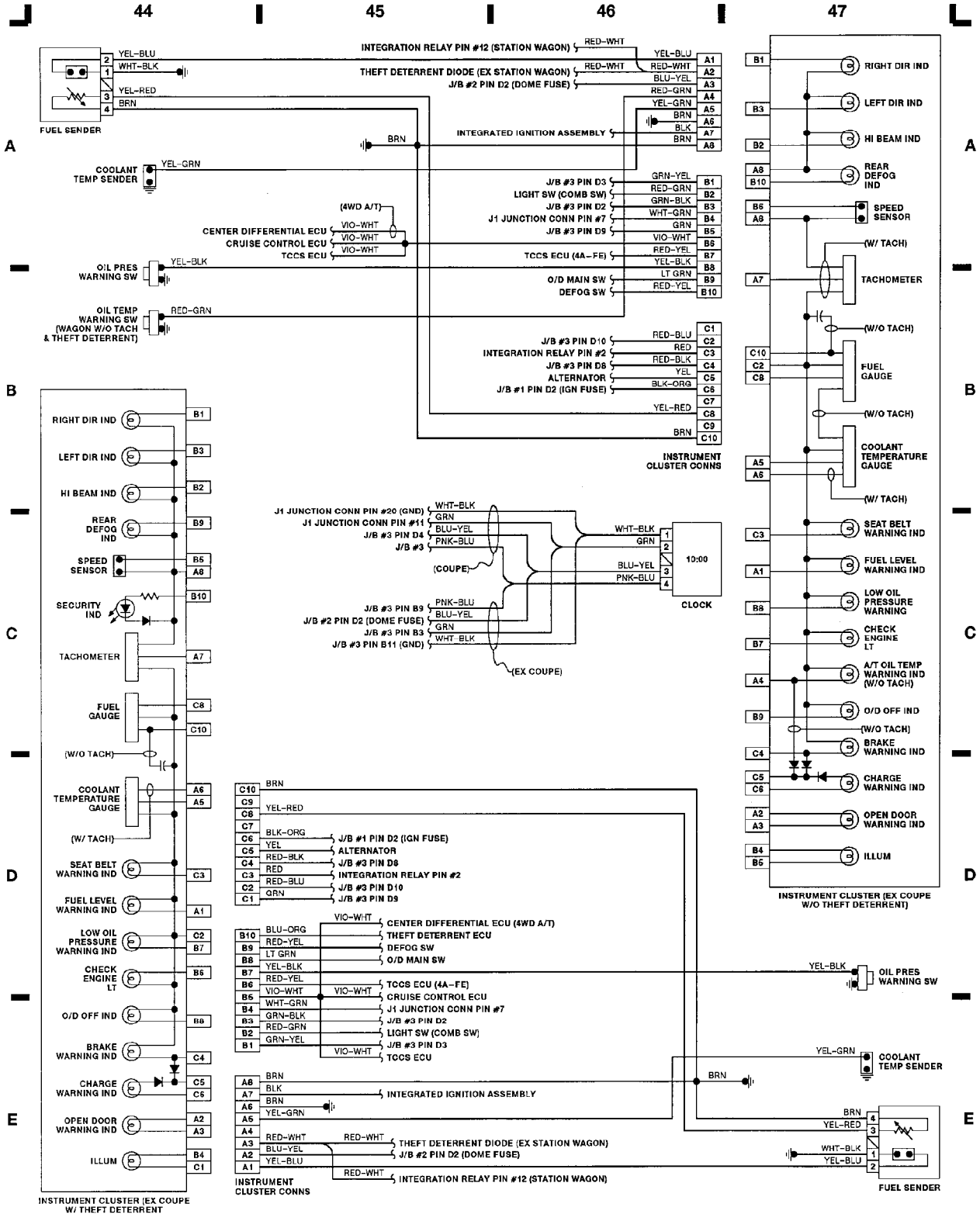
**WIRING DIAGRAMS**  
**Fig. 11: Junction Block #3 (Station Wagon), (Grid 40-43)**  
 1991 Toyota Corolla





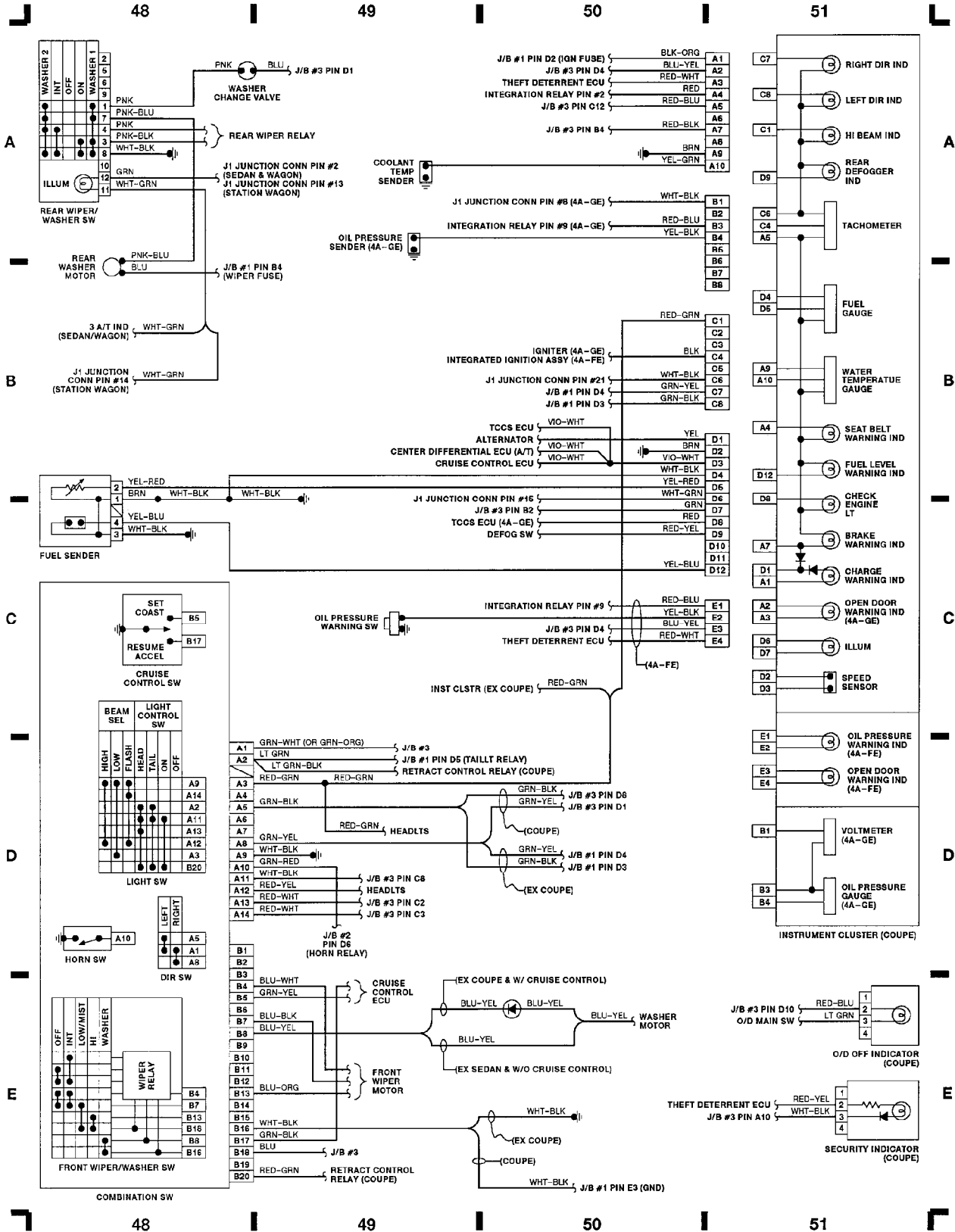
# WIRING DIAGRAMS

## Fig. 12: Inst Clstr (Ex Coupe W/ W/O Theft), Fuel Send (Grid 44-47) 1991 Toyota Corolla



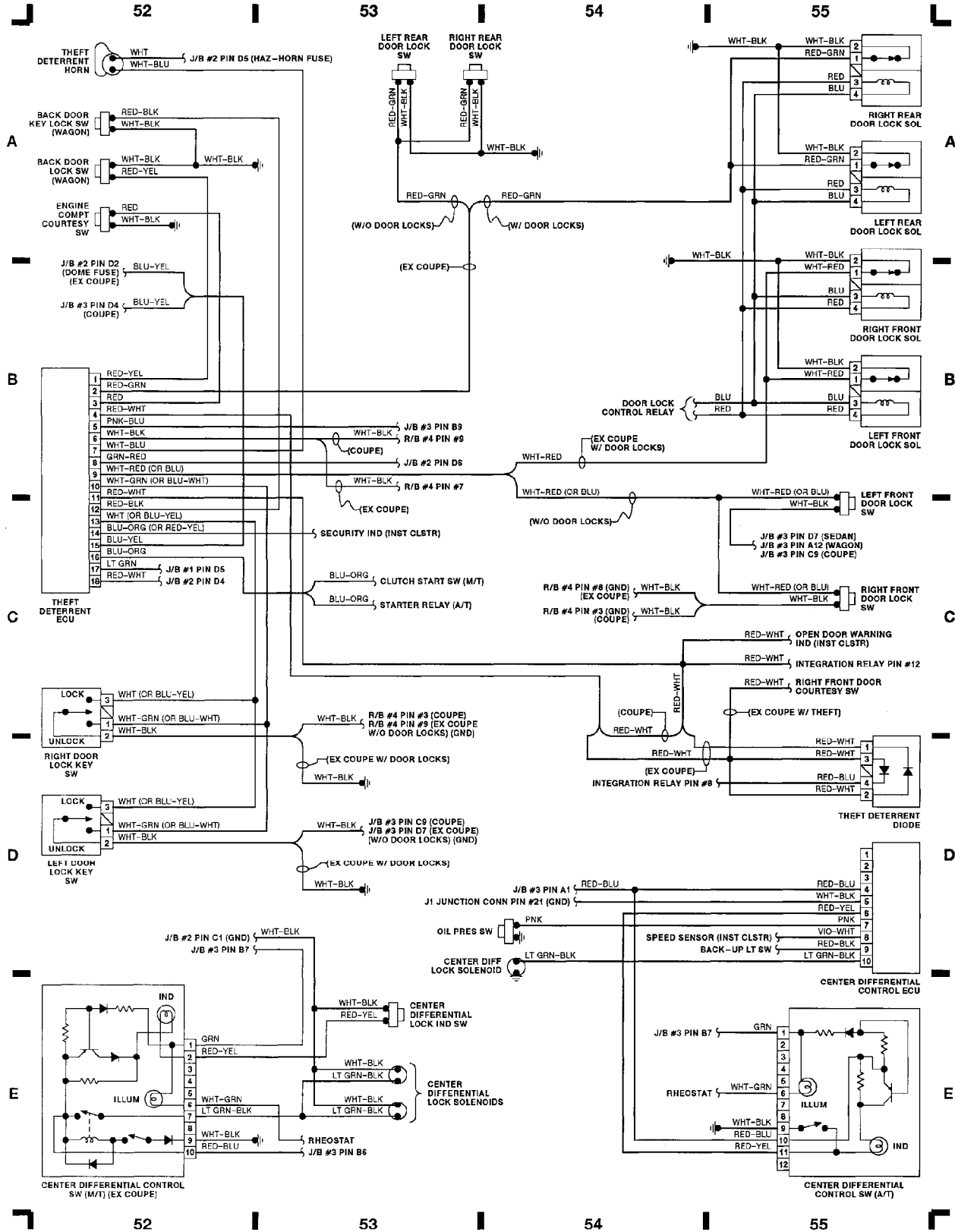
# WIRING DIAGRAMS

**Fig. 13: Inst Clste (Coupe), Comb Sw, Rear Wiper/Wash (Grid 48-51)**  
1991 Toyota Corolla



# WIRING DIAGRAMS

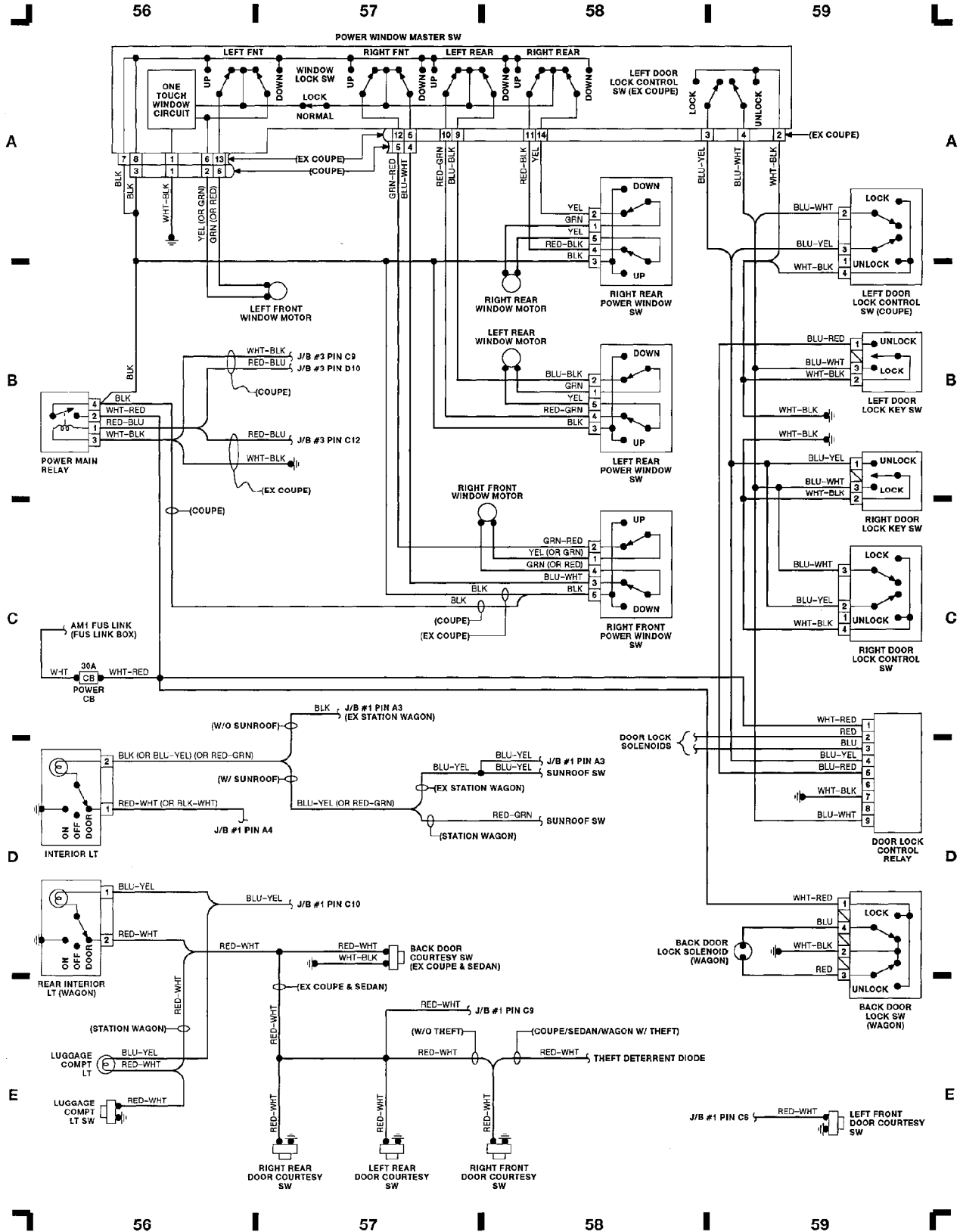
**Fig. 14: Ctr Differential Ctrl Sw, Theft Deterrent (Grid 52-55)**  
1991 Toyota Corolla



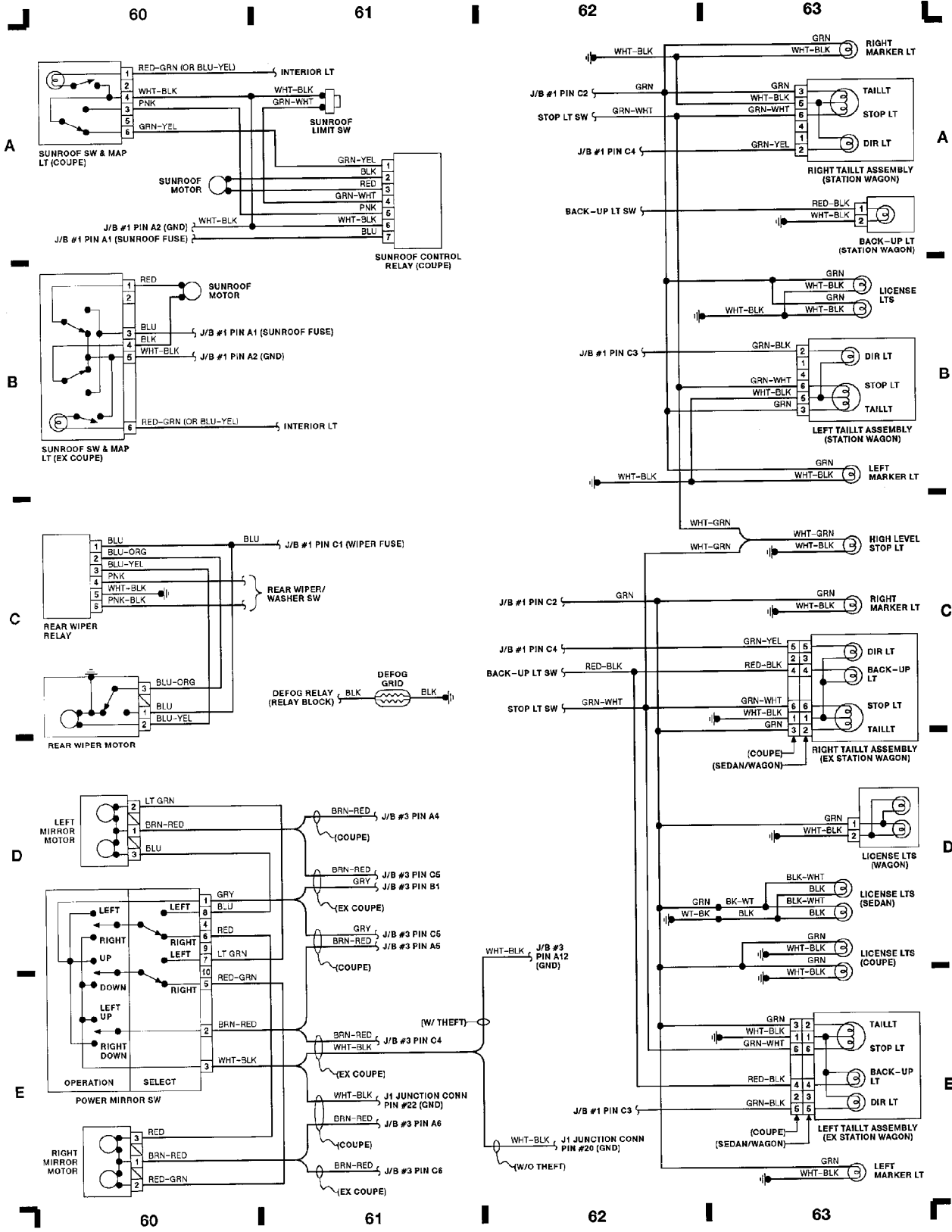
# WIRING DIAGRAMS

## Fig. 15: Pwr Windows/Doors/CB, Interior Lights (Grid 56-59)

1991 Toyota Corolla



**WIRING DIAGRAMS**  
**Fig. 16: Power Sunroof/Mirror, Taillights (Grid 60-63)**  
 1991 Toyota Corolla

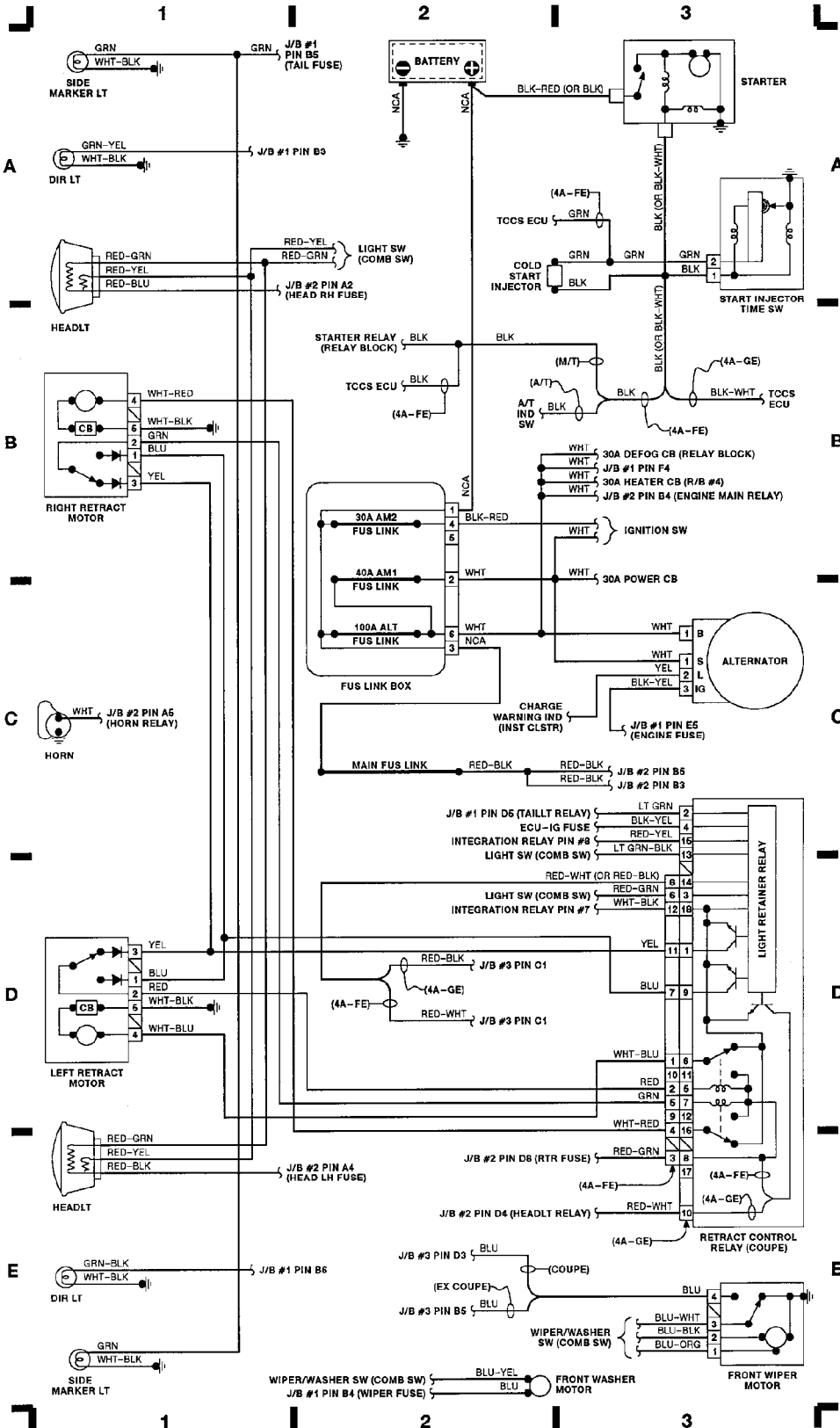


# WIRING DIAGRAMS

Fig. 1: Engine Compartment & Headlights (Grid 1-3)  
1991 Toyota Corolla

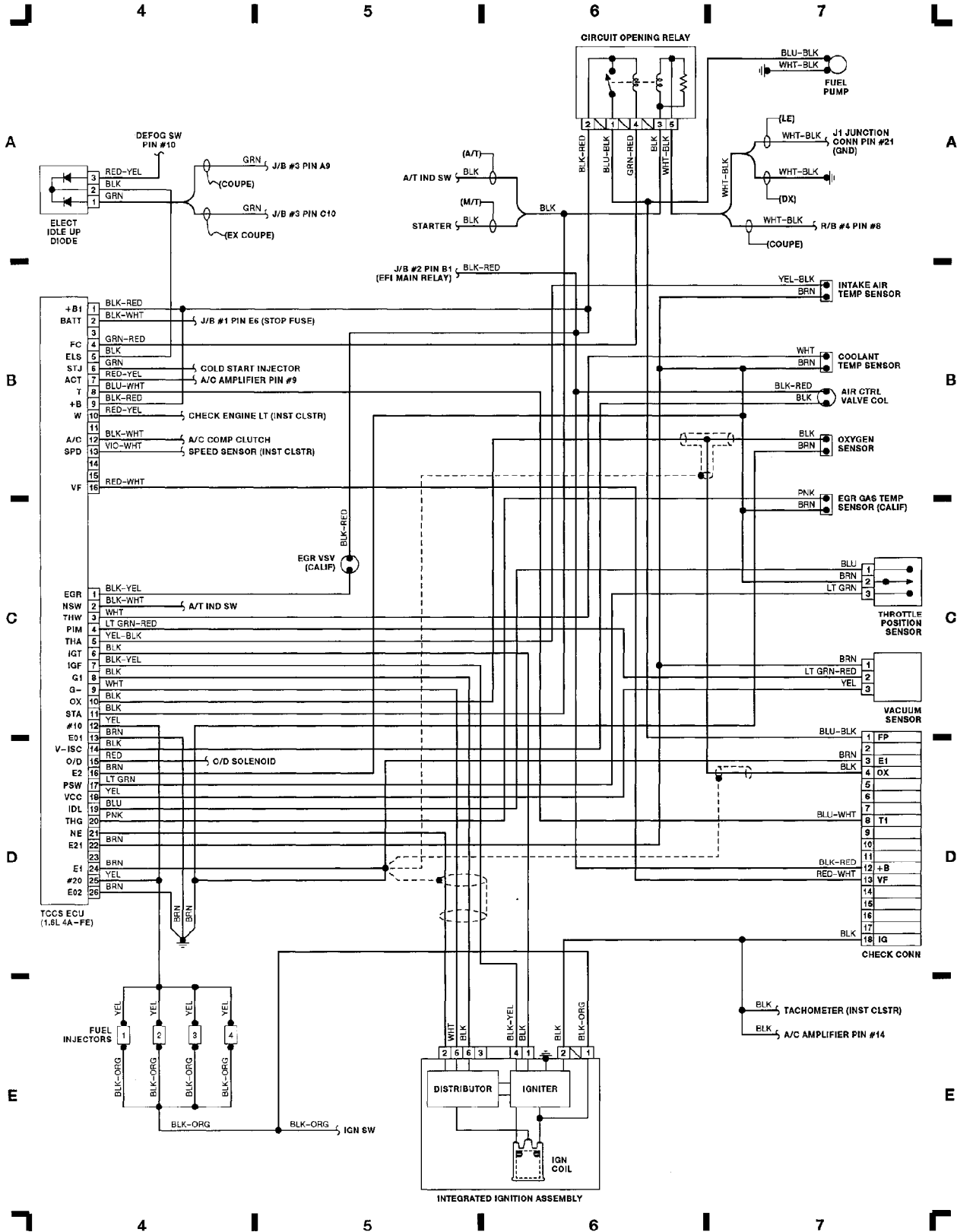
## COMPONENT LOCATOR:

A/C SYSTEM (4A-FE) .....	A-E 20-23
A/C SYSTEM (4A-GE) .....	A-E 24-27
A/T INDICATOR SW (4A-FE) .....	E 36
A/T INDICATORS .....	D 36
ALTERNATOR .....	C 3
BACK-UP LT SW (M/T) .....	E 38
BATTERY .....	A 2
CENTER DIFFERENTIAL .....	A 2
CONTROL SYSTEM .....	D-E 48-51
CIRCUIT OPENING RELAY (4A-FE) .....	A 6
CIRCUIT OPENING RELAY (4A-GE) .....	A 11
CLOCK .....	C 46
COLD START INJECTOR .....	A 2
COMBINATION SW .....	C-E 48
CRUISE CONTROL SYSTEM .....	A-B 28-31
DEFOG GRID .....	C 67
DEFOG SW & CRUISE CONTROL .....	D 31
DEFOG SW & HAZARD SW (COUPE) .....	D 28
DIR FLASHER .....	E 29
DOOR LOCK KEY SWS (W/ THEFT) .....	D 52
EQU-I/G FUSE .....	A 17
ELECT IDLE UP DIODE (4A-FE) .....	A 4
FRONT WASHER MOTOR .....	E 2
FUS LINK BOX .....	E 3
HAZARD SW (EX COUPE) .....	E 28
IGNITER (4A-GE) .....	E 10
IGNITION SW .....	A 12
INST CLSTR (COUPE) .....	A-D 51
INST CLSTR (EX COUPE W/ THEFT) .....	B-E 44
INST CLSTR (EX COUPE W/O THEFT) .....	A-D 47
INTEGRATED IGNITION ASSEMBLY (4A-FE) .....	E 5-6
INTERIOR LTS .....	D-E 56-59
J1 JUNCTION CONN (COUPE) .....	D-E 58
J1 JUNCTION CONN (SEDAN & WAGON) .....	D-E 35
J1 JUNCTION CONN (STATION WAGON) .....	D-E 43
JUNCTION BLOCK #1 (J/B #1) .....	A-D 16-18
JUNCTION BLOCK #2 (J/B #2) .....	A-C 12-14
JUNCTION BLOCK #3 (J/B #3) (COUPE) .....	A-C 37-38
JUNCTION BLOCK #3 (J/B #3) (SEDAN & WAGON) .....	A-C 33-34
JUNCTION BLOCK #3 (J/B #3) (STATION WAGON) .....	A-C 41-42
LEFT FRONT DOOR LOCK SOL .....	B 55
LEFT FRONT DOOR LOCK SW .....	C 55
MAIN FUS LINK .....	C 2
O/D MAIN SW .....	C 28
O/D OFF INDICATOR (COUPE) .....	E 51
O/D SOLENOID .....	C 28
POWER CB .....	C 56
POWER DOOR LOCKS (W/O THEFT) .....	A-D 58
POWER MIRRORS .....	D-E 60
POWER WINDOWS .....	A-C 56-58
REAR WIPER RELAY .....	C 60
REAR WIPER/WASHER SW .....	A 48
RELAY BLOCK #4 .....	E 14
RELAY BLOCK #4 (R/B #4) (4A-FE) .....	D-E 20
RELAY BLOCK #4 (R/B #4) (4A-GE) .....	D-E 24
RELAY BLOCK #5 .....	A 20-21
RELAY BLOCK #5 (R/B #5) (4A-FE) .....	A 20-21
RELAY BLOCK #5 (R/B #5) (4A-GE) .....	A 24-25
RETRACT CONTROL RELAY .....	C-E 3
RIGHT FRONT DOOR LOCK SW .....	C 55
SEAT BELT BUCKLE SW .....	E 16
SECURITY INDICATOR (COUPE) .....	E 51
SHIFT LOCK ECU .....	C 31
START INJECTOR TIME SW .....	A 3
STARTER .....	A 3
STOP LT SW (W/ CRUISE) .....	B 31
STOP LT SW (W/O CRUISE) .....	C 31
SUNROOF .....	A-B 80-81
TCCS ECU (4A-FE) .....	B-D 4
TCCS ECU (4A-GE) .....	A-D 8
THEFT DETERRANT DIODE .....	D 55
THEFT DETERRANT ECU .....	B-C 52
THEFT DETERRANT HORN .....	A 52
UNLOCK WARNING SW .....	E 12

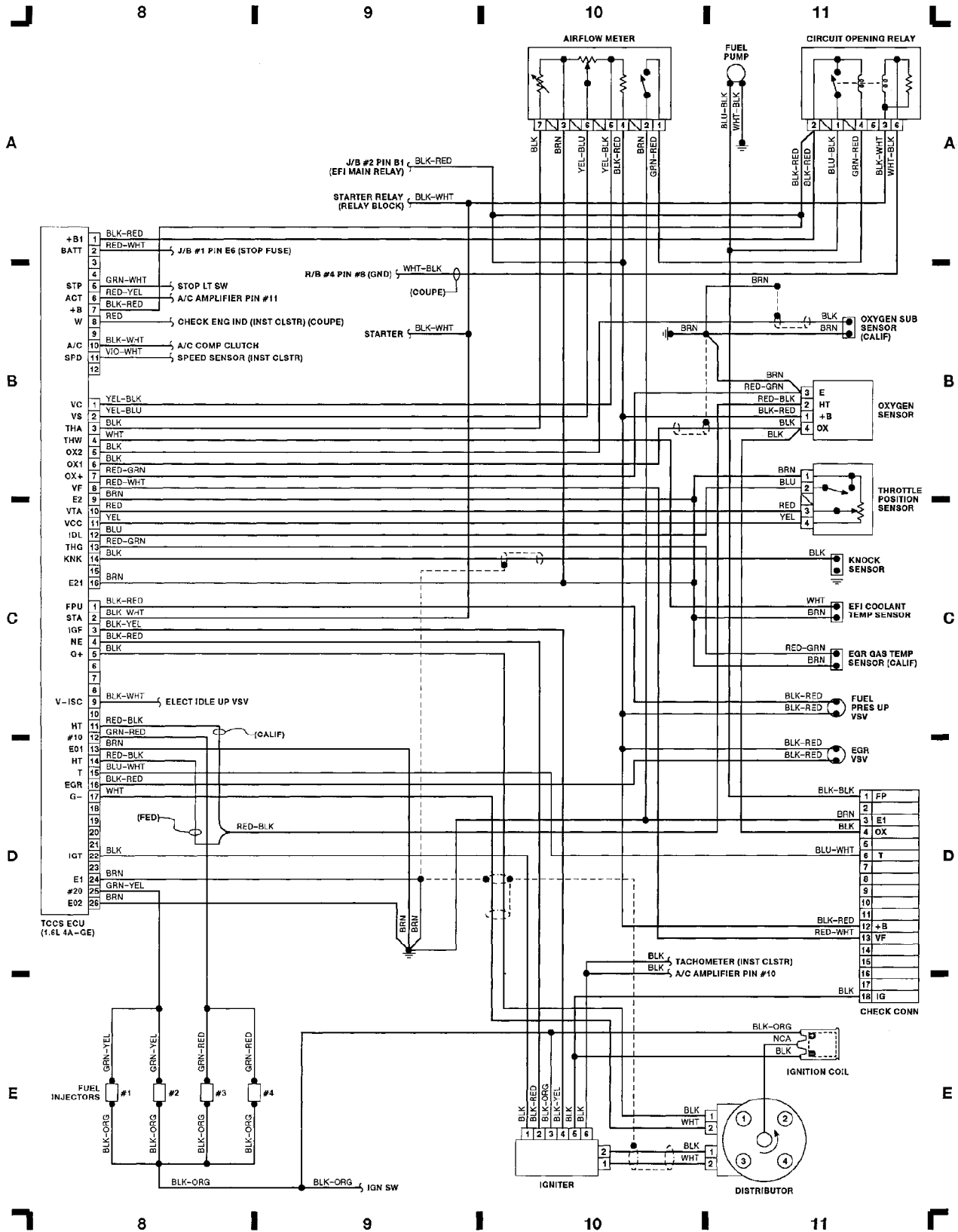


# WIRING DIAGRAMS

Fig. 2: Computer Engine Control (1.6L 4A-FE) (Grid 4-7)  
1991 Toyota Corolla



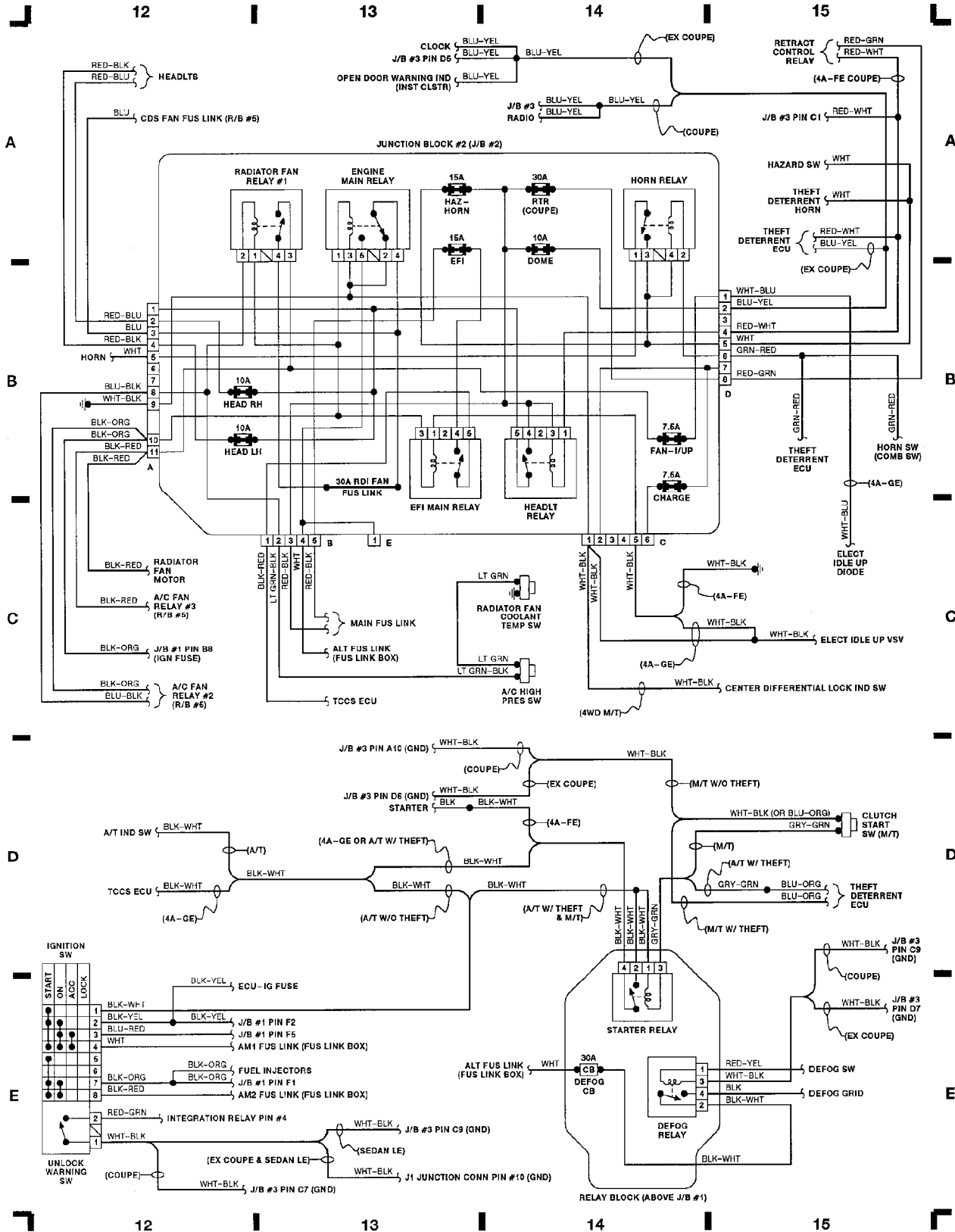
**WIRING DIAGRAMS**  
**Fig. 3: Computer Engine Control (1.6L 4A-GE) (Grid 8-11)**  
 1991 Toyota Corolla



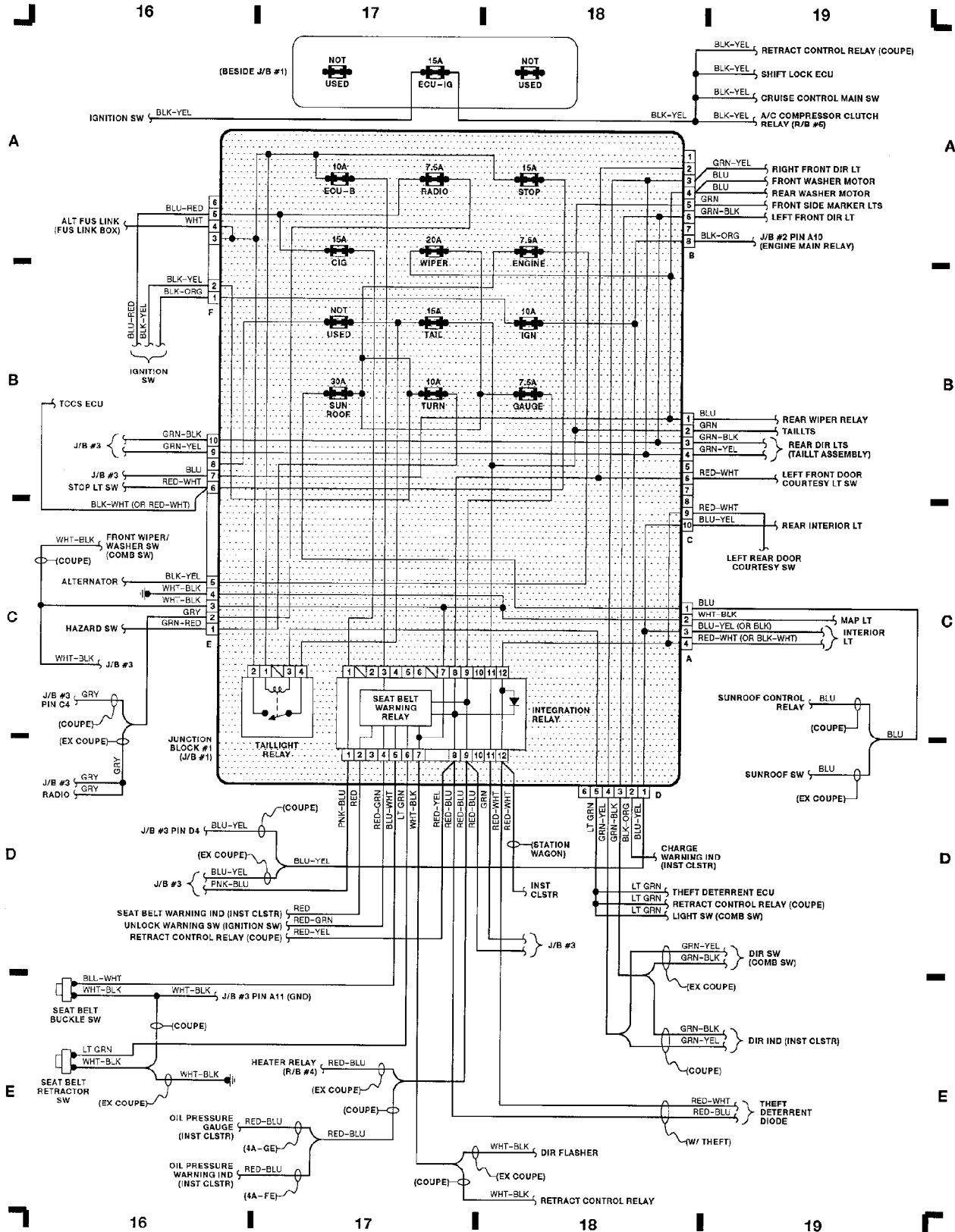


# WIRING DIAGRAMS

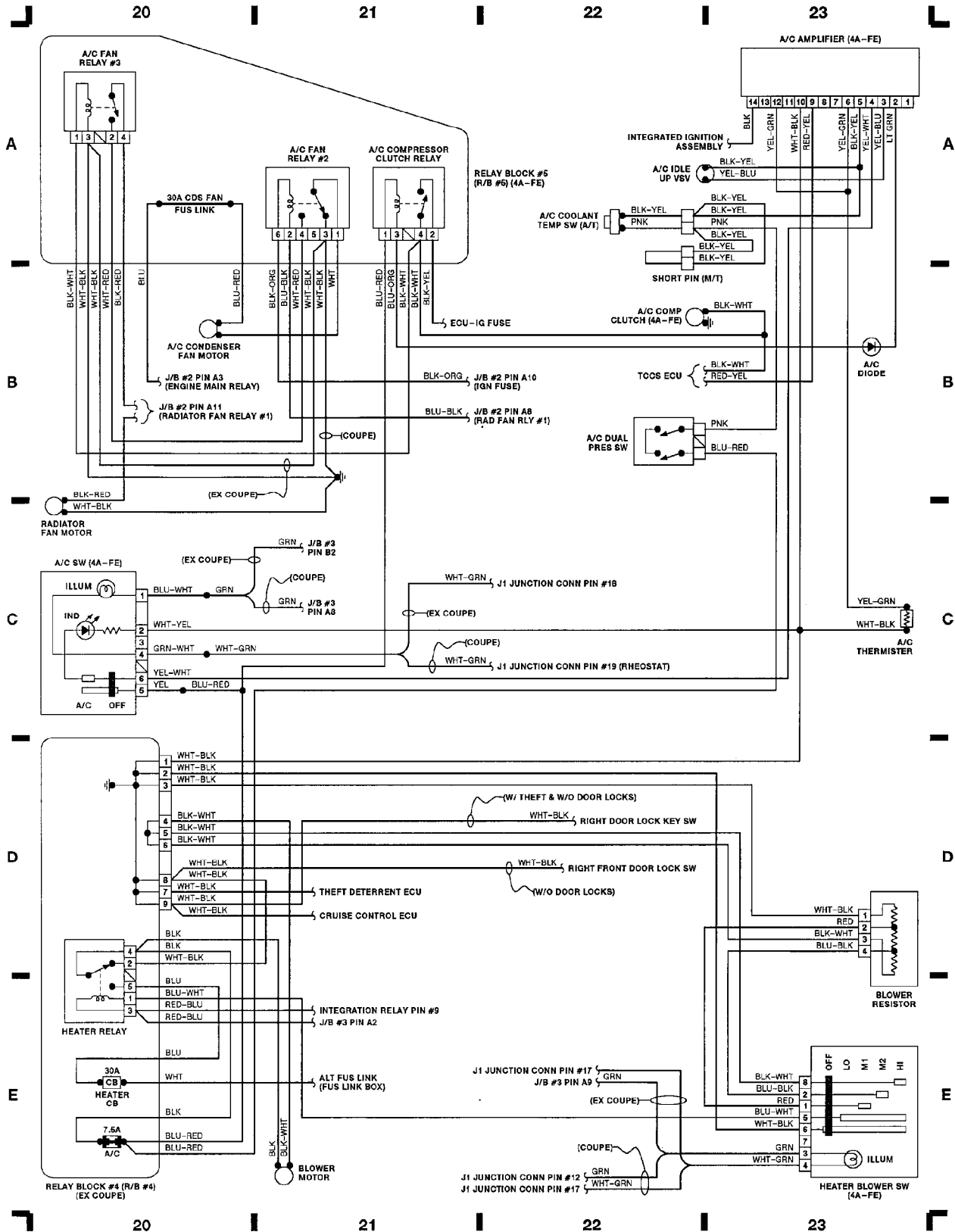
## Fig. 4: Junction Block #2 (J/B #2), Ignition Sw (Grid 12-15) 1991 Toyota Corolla



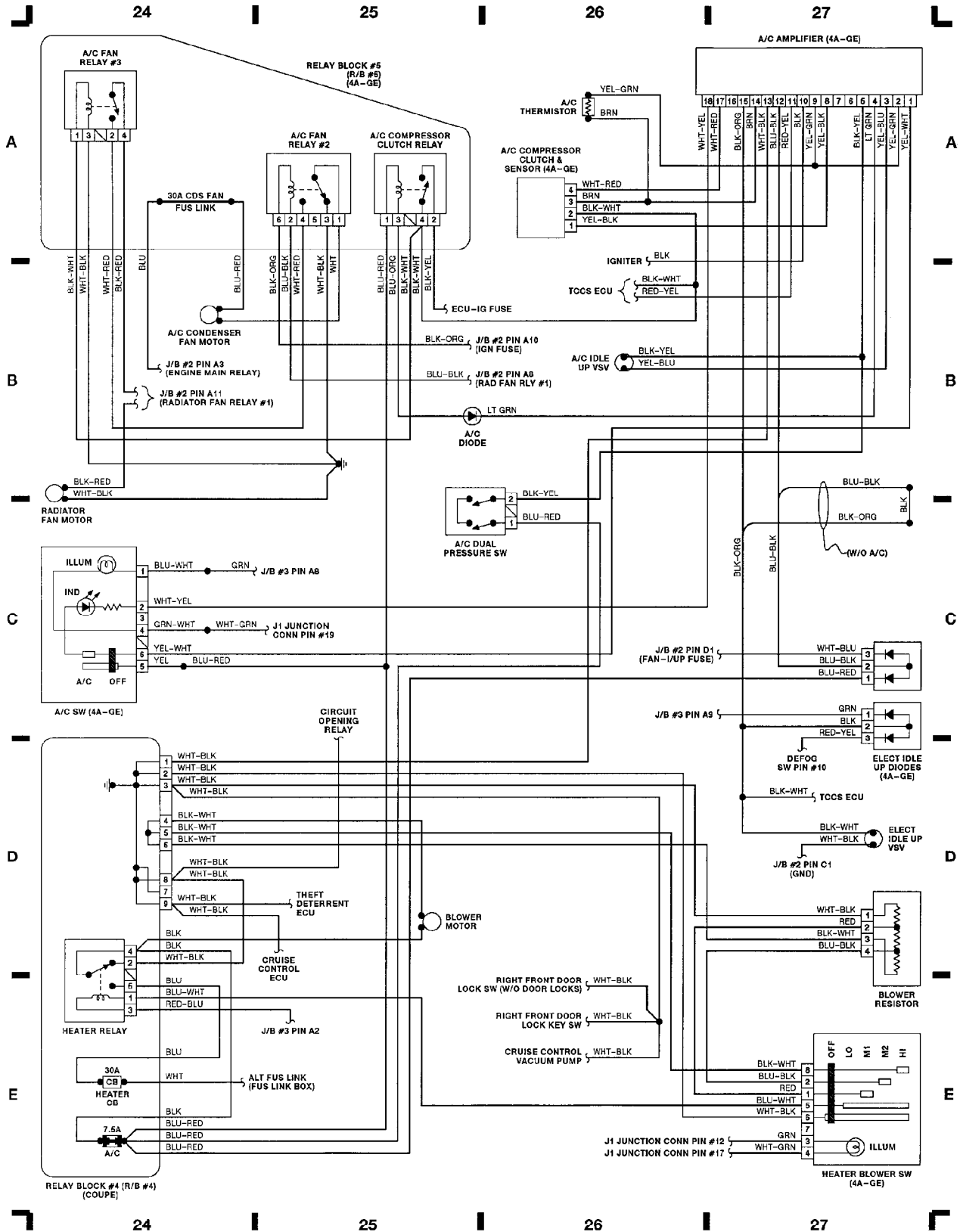
**WIRING DIAGRAMS**  
**Fig. 5: Junction Block #1 (J/B #1) (Grid 16-19)**  
 1991 Toyota Corolla



**WIRING DIAGRAMS**  
**Fig. 6: 4A-FE A/C & Heater, Relay Block #4 (Grid 20-23)**  
 1991 Toyota Corolla



**WIRING DIAGRAMS**  
**Fig. 7: 4A-GE A/C & Heater, Relay Block #4 & #6 (Grid 24-27)**  
 1991 Toyota Corolla



# WIRING DIAGRAMS

## Fig. 8: Cruise Control, Defog Switches, Hazard Sw (Grid 28-31) 1991 Toyota Corolla

